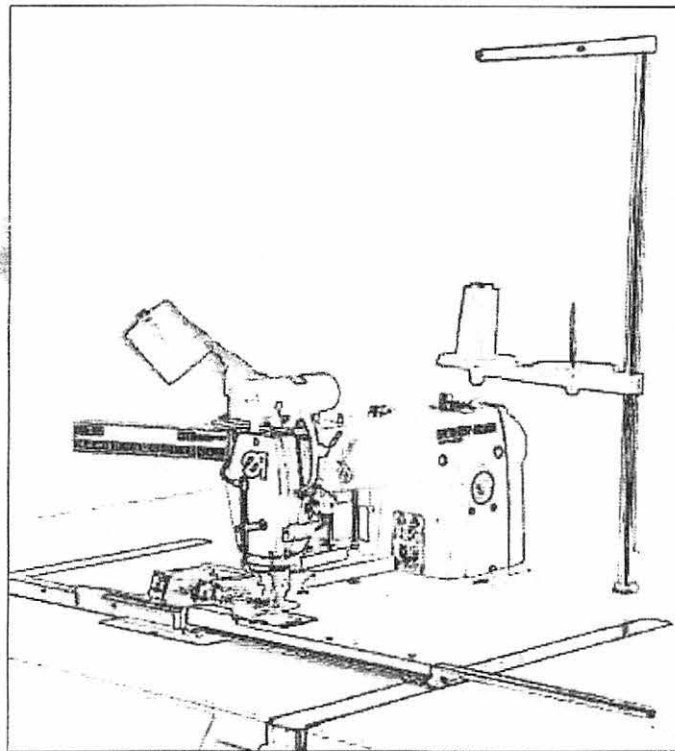




ADVANCED SEWING EQUIPMENT

739-23

Nähanlage für Kleinteile



TEILELISTE SPARE PART LIST

DocNr.:DOC 000007 / Version 1

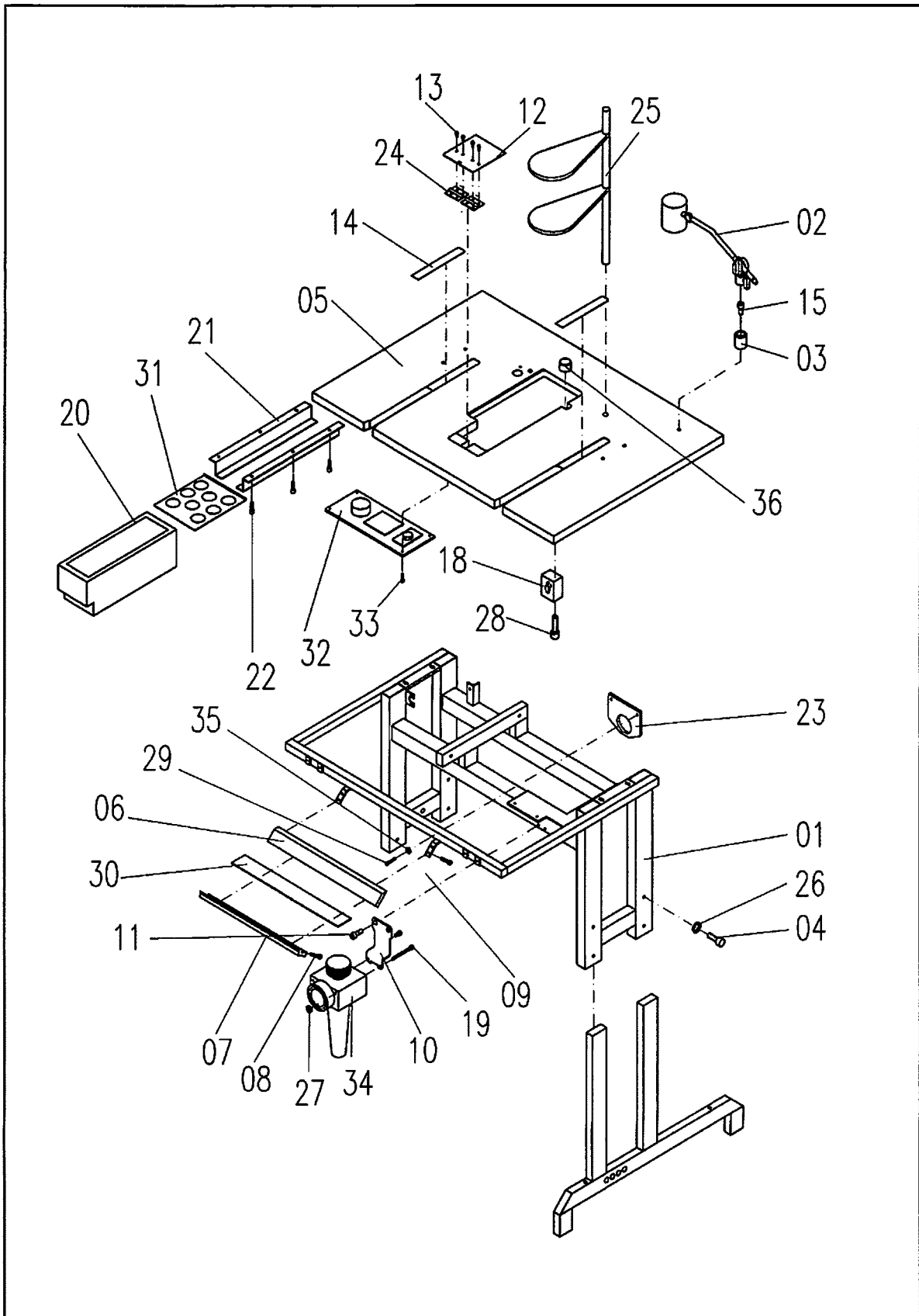
Stand 30.09.2005

ERSATZTEILE BESTELLUNG/ SPARE PART ORDER

Frohnradstr. 10 * D-63768 Hösbach * Tel.-Nr. Service: (0 60 21) 50 19 40 * Fax: (0 60 21) 50 19 10

Inhaltsverzeichnis 739-23-1

| Benennung | Tafel/ Page | Name |
|----------------------------|----------------|-------------------|
| TISCHTEILE | 1 | TABEL PARTS |
| ANTRIEB X - ACHSE | 2 | DRIVE X - AXIS |
| LAGERUNG X - ACHSE | 3 | X-AXIS BEDDING |
| X ACHSE | 4 | X-AXIS |
| Y ACHSE | 5 | Y-AXIS |
| FÜHRUNGSSCHIENE | 6 | GUIDE RAIL |
| GURTROLLE | 7 | BELT-DRIVE |
| OBERTEILAUFNahme | 8 | SEWING HEAD SEAT |
| ANTRIEB | 9 | DRIVE |
| FADENABSCHNEIDER | 10 | THREAD-CUTTER |
| MESSERANTRIEB | 11 | KNIFE DRIVING |
| KANTENBESCHNEIDEINRICHTUNG | 12 | SET UP PARTS |
| BEDIENPANEL | 13 | REMOUTER |
| PNEUMATIKVERTEILUNG | 14 | VALVE BLOCK |
| STEUERUNG | 15 | CONTROL |
| ABSAUGEINRICHTUNG | 16 | SUCTION MECHANISM |
| 0-PUNKT_SCHABLONE | 17 | 0-POINT PATTERN |
| OBERTEIL | | SEWING HEAD |

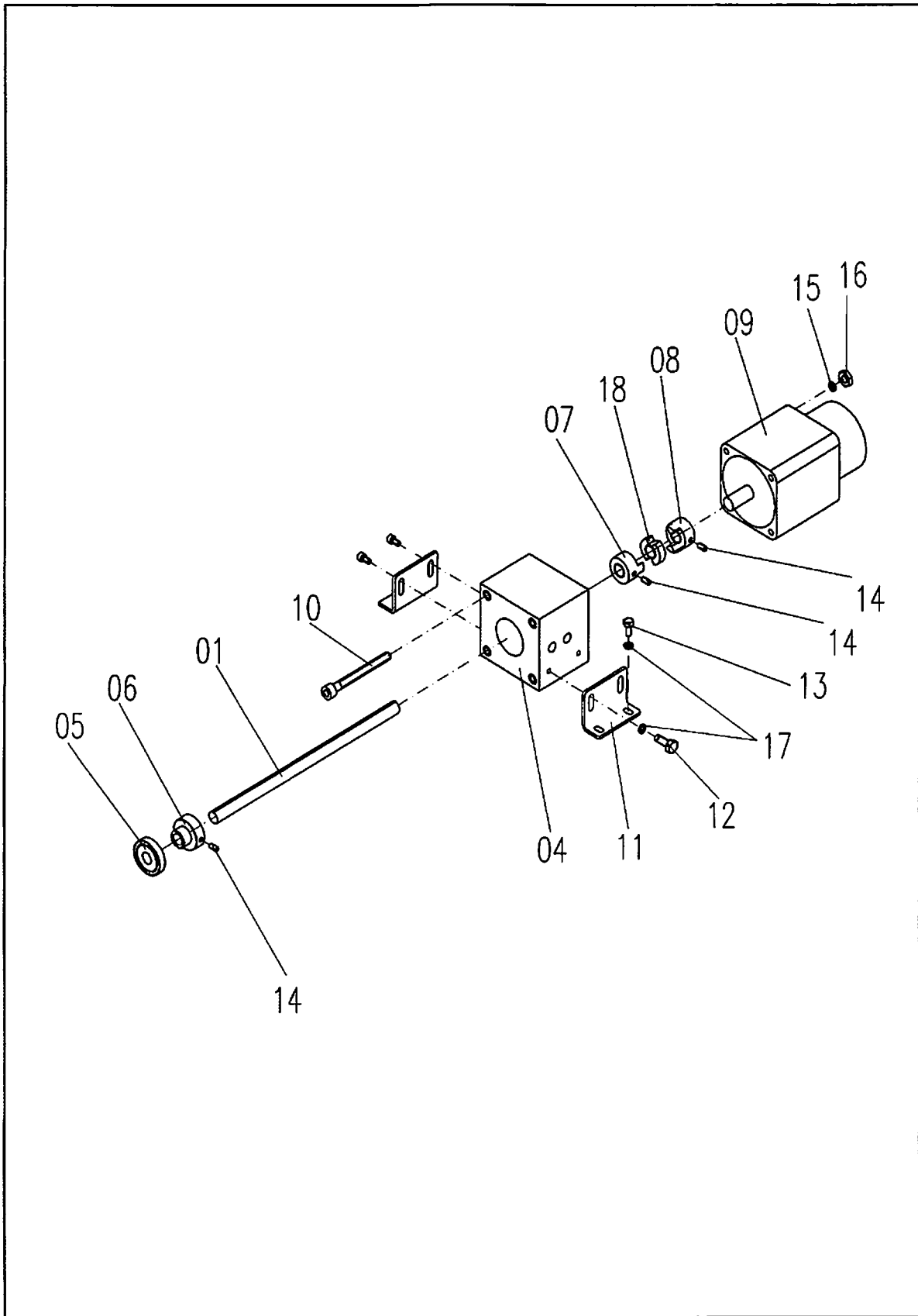


Tafel 1

Tischteile

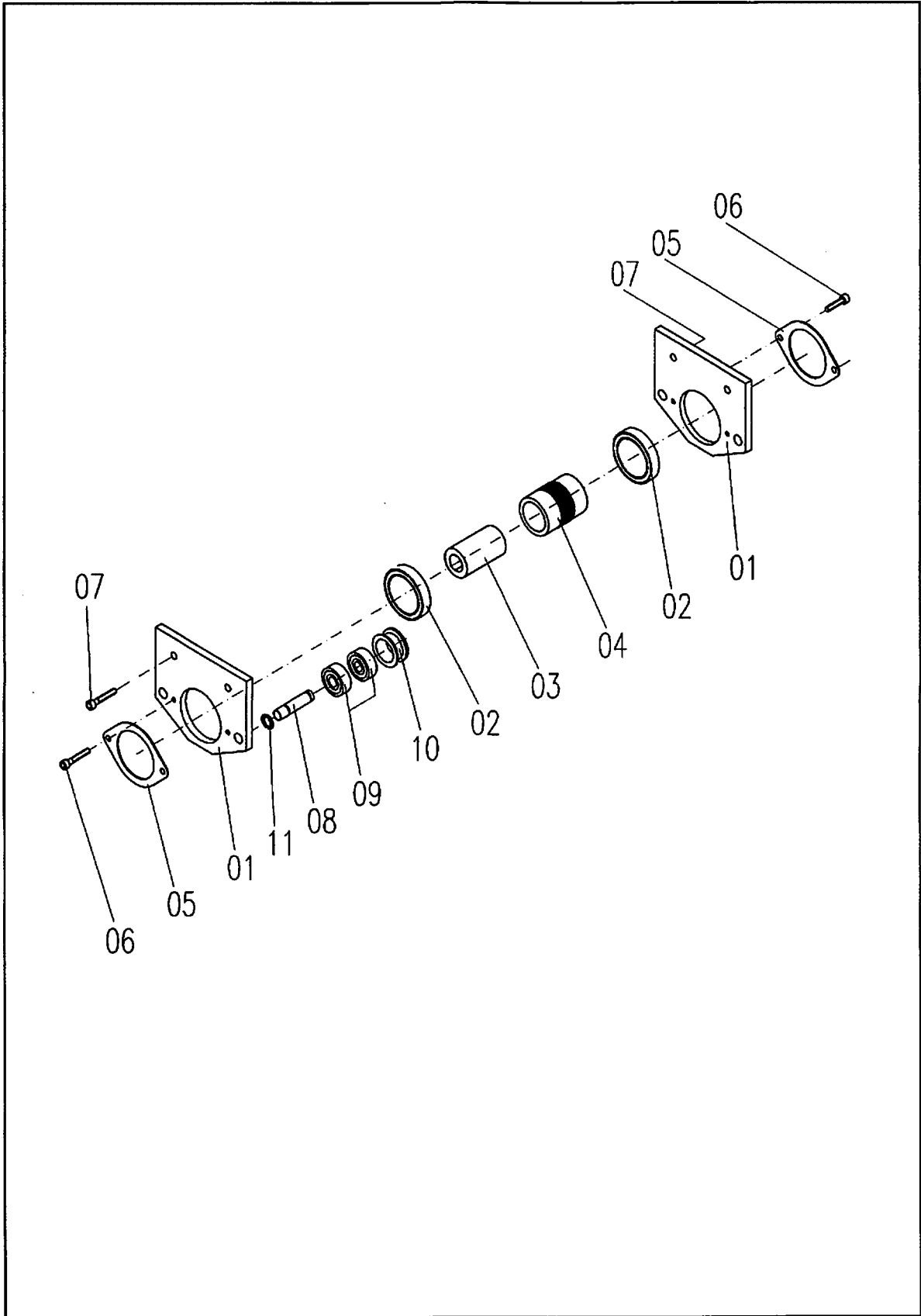
739-23-1

| NR. NO. | STCK. PIECE | ARTIKEL NR. ARTICLE NR. | BEZEICHNUNG | NAME |
|------------|----------------|----------------------------|--------------------|--------------------|
| 1 | 1 | 3402005.00 | Tischgestell | table frame |
| 2 | 1 | 3402062.00 | Nähleuchte | Sewing lamp |
| 3 | 1 | 010273.00 | Haltestück | Retaining part |
| 4 | 4 | DIN 912 - M10x25 | Schraube | screw |
| 5 | 1 | 010146-00 | Tischplatte | table plate |
| 6 | 1 | 010247.00 | Platte | plate |
| 7 | 1 | 10147.00 | Anschlag | edge guide |
| 8 | 6 | DIN 7981 3,9 x 9,5 | Schraube | screw |
| 9 | 4 | DIN 7981 3,5 x 6,5 | Schraube | screw |
| 10 | 1 | 010169-00 | Winkel | square |
| 11 | 2 | DIN 912 - M5 x 15 | Schraube | screw |
| 12 | 1 | 010151-00 | Platte | plate |
| 13 | 4 | DIN 7912 - M4 x 8 | Schraube | screw |
| 14 | 1 | 010162-00 | Abdeckblech | cover plate |
| 15 | 1 | DIN 912 - M8 x 25 | Schraube | screw |
| 18 | 1 | 47.0739/01.11 | Schutzschalter | protective switch |
| 19 | 2 | DIN 912 - M4 x 55 | Schraube | screw |
| 20 | 1 | 010145.00 | Schubkasten | Drawer |
| 21 | 2 | 10245.00 | Leiste | ledge |
| 22 | 6 | DIN 7981 - 3,5 x 6,5 | Schraube | screw |
| 23 | 1 | 010181.00 | Lagerplatte | end plate |
| 24 | 2 | 010142-00 | Scharnier | hinge |
| 25 | 1 | 3402076.00 | Garnständer | reel stand |
| 26 | 4 | DIN 125 - A 10 | Scheibe | washer |
| 27 | 2 | DIN 934 - M4 | Mutter | nut |
| 28 | 2 | DIN 7981 - M5 x 30 | Schraube | screw |
| 29 | 2 | DIN 912 - M5 x10 | Schraube | screw |
| 30 | 1 | 010248.00 | Gummieinlage | rubber ply |
| 31 | 1 | 010246.00 | Platte | plate |
| 32 | 1 | 47.0739/01.08 | Transponder - lese | transponder |
| 33 | 4 | DIN 7981 St3,5x1,5-C | Schraube | screw |
| 34 | 1 | 34 02021.00 | Druckregler | pressure regulator |
| 35 | 2 | DIN 125-A5 | Scheibe | washer |
| 36 | 1 | 1600521.00 | Anschlag | edge guide |
| Tafel 1 | | Tischteile | | 739-23-1 |



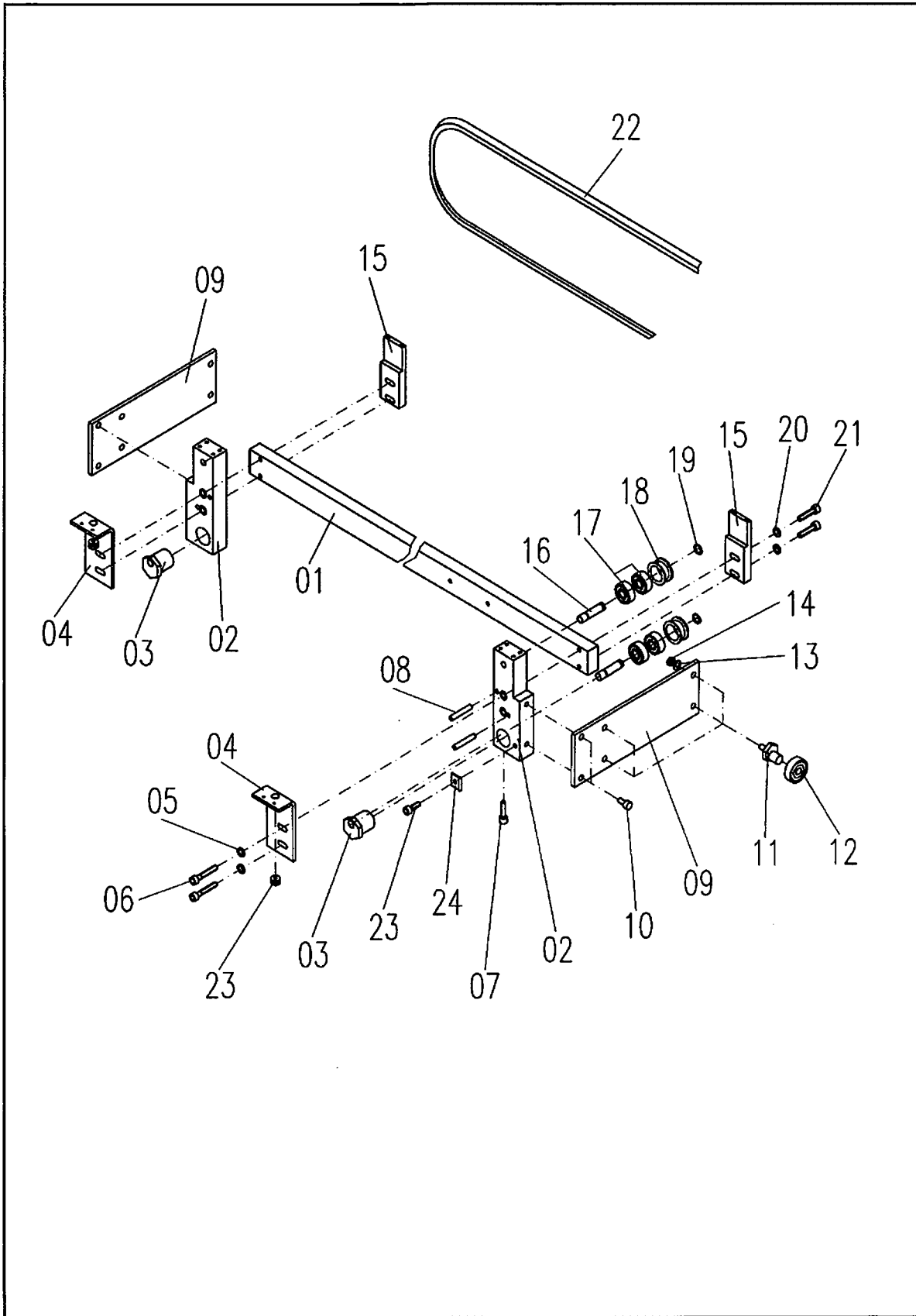
| | | |
|---------|-----------------|----------|
| Tafel 2 | Antrieb X-Achse | 739-23-1 |
|---------|-----------------|----------|

| NR. NO. | STCK. PIECE | ARTIKEL NR. ARTICLE NR. | BEZEICHNUNG | NAME |
|------------|----------------|----------------------------|------------------------|-----------------|
| 1 | 1 | 3402040.00 | Welle (Linearführung) | shaft |
| 4 | 1 | 010196.00 | Lagerbock | bearing bracket |
| 5 | 1 | 6004 - 2Z | Kugellager | ball bearing |
| 6 | 1 | 010197.00 | Buchse | sleeve |
| 7 | 1 | 010199.00 | Kupplungsklaue | coupling clow |
| 8 | 1 | 010198.00 | Kupplungsklaue | coupling clow |
| 9 | 1 | PK 2913 - E 4,0 A - | Motor | Motor |
| 10 | 4 | DIN 912 - M6x90 | Schraube | screw |
| 11 | 2 | 010200.00 | Winkel | square |
| 12 | 4 | DIN 933 - M6x16 | Schraube | screw |
| 13 | 4 | DIN 933 - M6x12 | Schraube | screw |
| 14 | 3 | DIN 913 - M5x8 | Schraube | screw |
| 15 | 4 | DIN 125 - A 6,4 | Scheibe | washer |
| 16 | 4 | DIN 934 - M6 | Mutter | nut |
| 17 | 4 | DIN 125 - A 6,4 | Scheibe | washer |
| 18 | 1 | 3402033.00 | Zahnkranz | gear rim |
| Tafel 2 | | Antrieb X-Achse | | 739-23-1 |



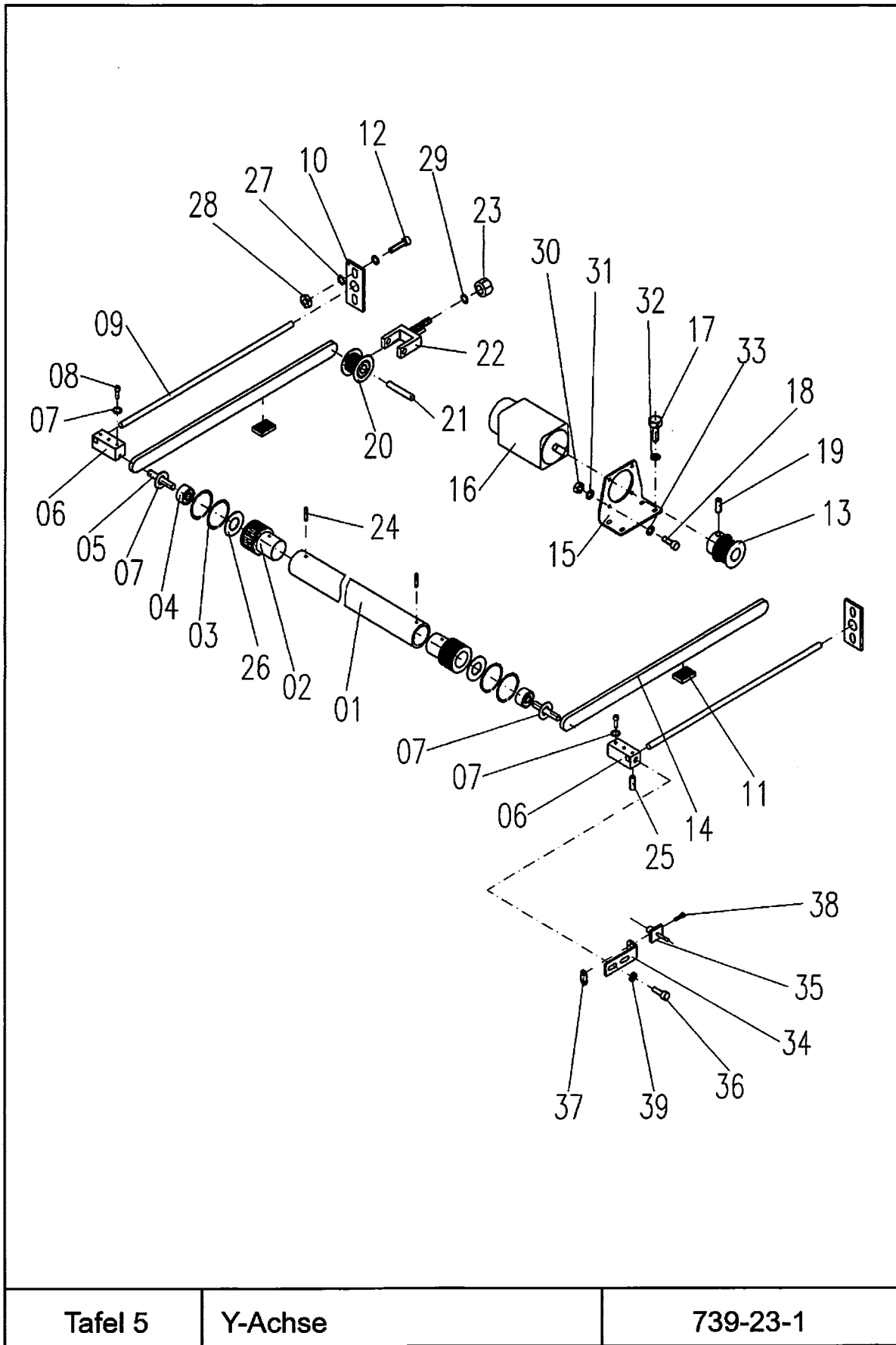
| | | |
|---------|------------------|----------|
| Tafel 3 | Lagerung X-Achse | 739-23-1 |
|---------|------------------|----------|

| NR. NO. | STCK. PIECE | ARTIKEL NR. ARTICLE NR. | BEZEICHNUNG | NAME |
|------------|----------------|----------------------------|---------------|---------------|
| 1 | 2 | 010251-00 | Lagerplatte | bearing plate |
| 2 | 2 | 3402034.00/61 806 | Kugellager | ball bearing |
| 3 | 1 | 3402040.00 | Linearführung | line guide |
| 4 | 1 | 010182-00 | Ritzel | pinion |
| 5 | 2 | 010202-00 | Lasche | cover plate |
| 6 | 4 | DIN 912 - M4x8 | Schraube | screw |
| 7 | 4 | DIN 912 - M5x14 | Schraube | screw |
| 8 | 2 | 010252-00 | Bolzen | bolt |
| 9 | 4 | 3402036.00 | Kugellager | ball bearing |
| 10 | 2 | 010183-00 | Rolle | roller |
| 11 | 2 | DIN 6799 | Sicherungring | cir clip |
| Tafel 3 | | Lagerung X-Achse | | 739-23-1 |



| | | |
|---------|---------|----------|
| Tafel 4 | X-Achse | 739-23-1 |
|---------|---------|----------|

| NR. NO. | STCK. PIECE | ARTIKEL NR. ARTICLE NR. | BEZEICHNUNG | NAME |
|------------|----------------|----------------------------|---------------|-----------------|
| 1 | 1 | 010179-00 | Strebe | stanchion |
| 2 | 2 | 010180-00 | Lagerbock | bearing bracket |
| 3 | | | | |
| 4 | 2 | 010159-00 | Winkel | square |
| 5 | 4 | DIN 125 - A 5,3 | Scheibe | washer |
| 6 | 4 | DIN 912 M5x | Schraube | screw |
| 7 | 2 | DIN 933 - M6 x 8 | Schraube | screw |
| 8 | 4 | DIN 6325 - 5 x 30 | Stift | pin |
| 9 | 2 | 010186.00 | Platte | plate |
| 10 | 4 | DIN 912 - M6 x 16 | Schraube | screw |
| 11 | 8 | 010187-00 | Exenter | eccentric |
| 12 | 8 | 3402038.00 629-2R5I | Kugellager | ball bearing |
| 13 | 8 | DIN 125 - A 6,3 | Scheibe | washer |
| 14 | 8 | DIN 934 - M6 | Mutter | nut |
| 15 | 2 | 010160-00 | Halter | holder |
| 16 | 4 | 010252-00 | Bolzen | bolt |
| 17 | 8 | 3402036.00 | Kugellager | ball bearing |
| 18 | 4 | 010183-00 | Rolle | roller |
| 19 | 4 | DIN 6799 - 7 | Sicherungring | sealing ring |
| 20 | 4 | DIN 125 - A 6,3 | Scheibe | washer |
| 21 | 4 | DIN 912 M5 x 16 | Schraube | screw |
| 22 | 1 | 3402039.00 | Zahnriemen | thoothed |
| 23 | 1 | DIN 912-M4x8 | Schraube | screw |
| 24 | 1 | HNY-4 | Klemme | clamp |
| Tafel 4 | | X-Achse | | 739-23-1 |



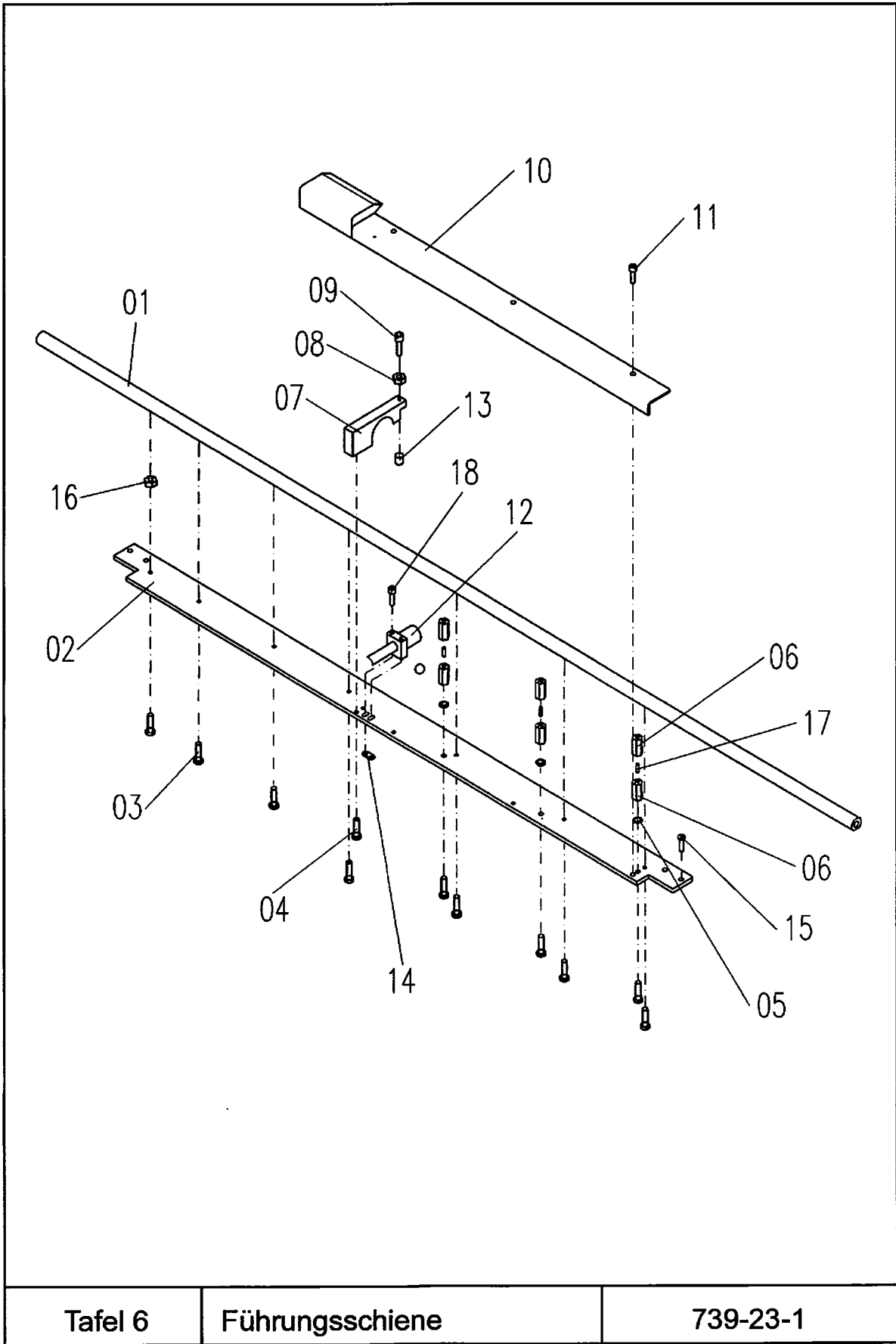
Tafel 5

Y-Achse

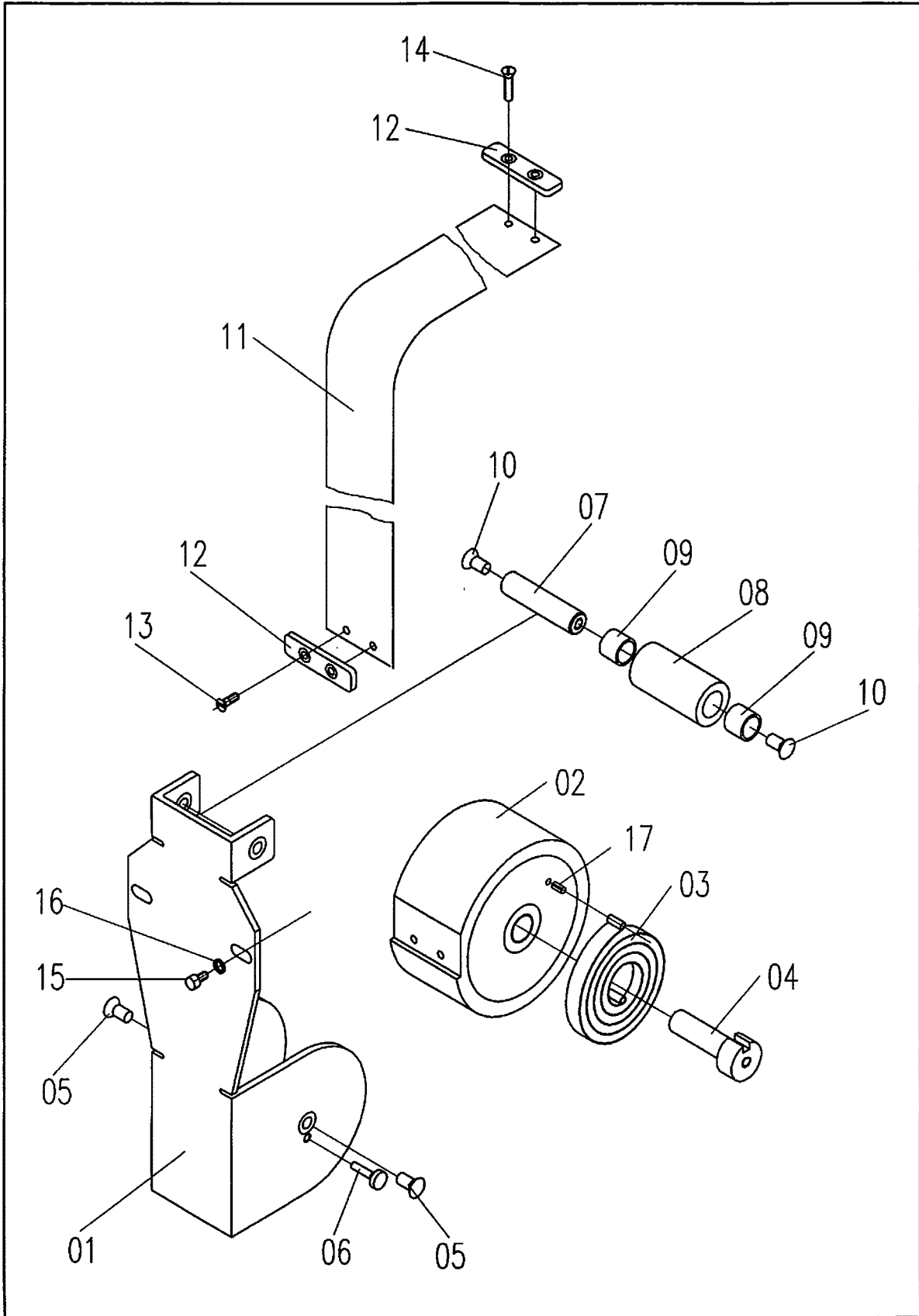
739-23-1

| NR. NO. | STCK. PIECE | ARTIKEL NR. ARTICLE NR. | BEZEICHNUNG | NAME |
|------------|----------------|----------------------------|---------------|------------------|
| 1 | 1 | 010192-00 | Rohr | pipe |
| 2 | 2 | 010191-00 | Ritzel | pinion |
| 3 | 4 | I50040I.05 | Sicherungring | sealing ring |
| 4 | 2 | 3402035 626 - 2 Z | Kugellager | ball bearing |
| 5 | 2 | 010420.00 | Stift | pin |
| 6 | 2 | 010190-00 | Lagerbock | bearing bracket |
| 7 | 6 | DIN 125 - A 6,4 | Scheibe | washer |
| 8 | 2 | DIN 912 - M6x12 | Schraube | screw |
| 9 | 2 | 010194-00 | Achse | axial |
| 10 | 2 | 010195.00 | Lasche | cover plate |
| 11 | 2 | 010203-00 | Zahnstange | steering rack |
| 12 | 4 | DIN 912 - M6x15 | Schraube | screw |
| 13 | 1 | 010193-00 | Ritzel | pinion |
| 14 | 2 | 3402032.00 | Zahnriemen | thoothed belt |
| 15 | 1 | 010201-00 | Winkel | square |
| 16 | 1 | 3402041.00 | Motor | Motor |
| 17 | 4 | DIN 933 - M6x12 | Schraube | screw |
| 18 | 4 | DIN 912 - M6x25 | Schraube | screw |
| 19 | 1 | DIN 913 - M5x8 | Stiftschraube | stud |
| 20 | 1 | 010205-00 | Ritzel voll | pinion, full |
| 21 | 1 | DIN 6325 | Stift | pin |
| 22 | 1 | 010204-00 | Gabel, voll | fork, full |
| 23 | 1 | DIN 985 - M6 | Mutter | nut |
| 24 | 2 | DIN 1481 - A 6 x 30 | Spannhülse | clamping steeve |
| 25 | 2 | DIN 913 - M6x10 | Gewindestift | set screw |
| 26 | 2 | DIN 988 5x10x0,5 | Scheibe | washer |
| 27 | 4 | DIN 125 - A 6,4 | Scheibe | washer |
| 28 | 2 | DIN 934 - M6 | Mutter | nut |
| 29 | 1 | DIN 125 A 6,4 | Scheibe | washer |
| 30 | 4 | DIN 934 - M6 | Mutter | nut |
| 31 | 4 | DIN 125 - A 6,4 | Scheibe | washer |
| 32 | 4 | DIN 125 - A 6,4 | Scheibe | washer |
| 33 | 4 | DIN 125 A 6,4 | Scheibe | washer |
| 34 | 1 | 010176.00 | Winkel | square |
| 35 | 1 | 3402090.00 | Initiator | Proximity switch |
| 36 | 1 | DIN 912-M4x10 | Schraube | screw |
| Tafel 5 | | Y-Achse | | 739-23-1 |

| NR. NO. | STCK. PIECE | ARTIKEL NR. ARTICLE NR. | BEZEICHNUNG | NAME |
|------------|----------------|----------------------------|-------------|----------|
| 37 | 1 | 3402112.00 | Lasche | lug |
| 38 | 2 | DIN 912-M3x18 | Schraube | screw |
| 39 | 2 | DIN 125-4 | Scheibe | washer |
| Tafel 5 | | Y-Achse | | 739-23-1 |

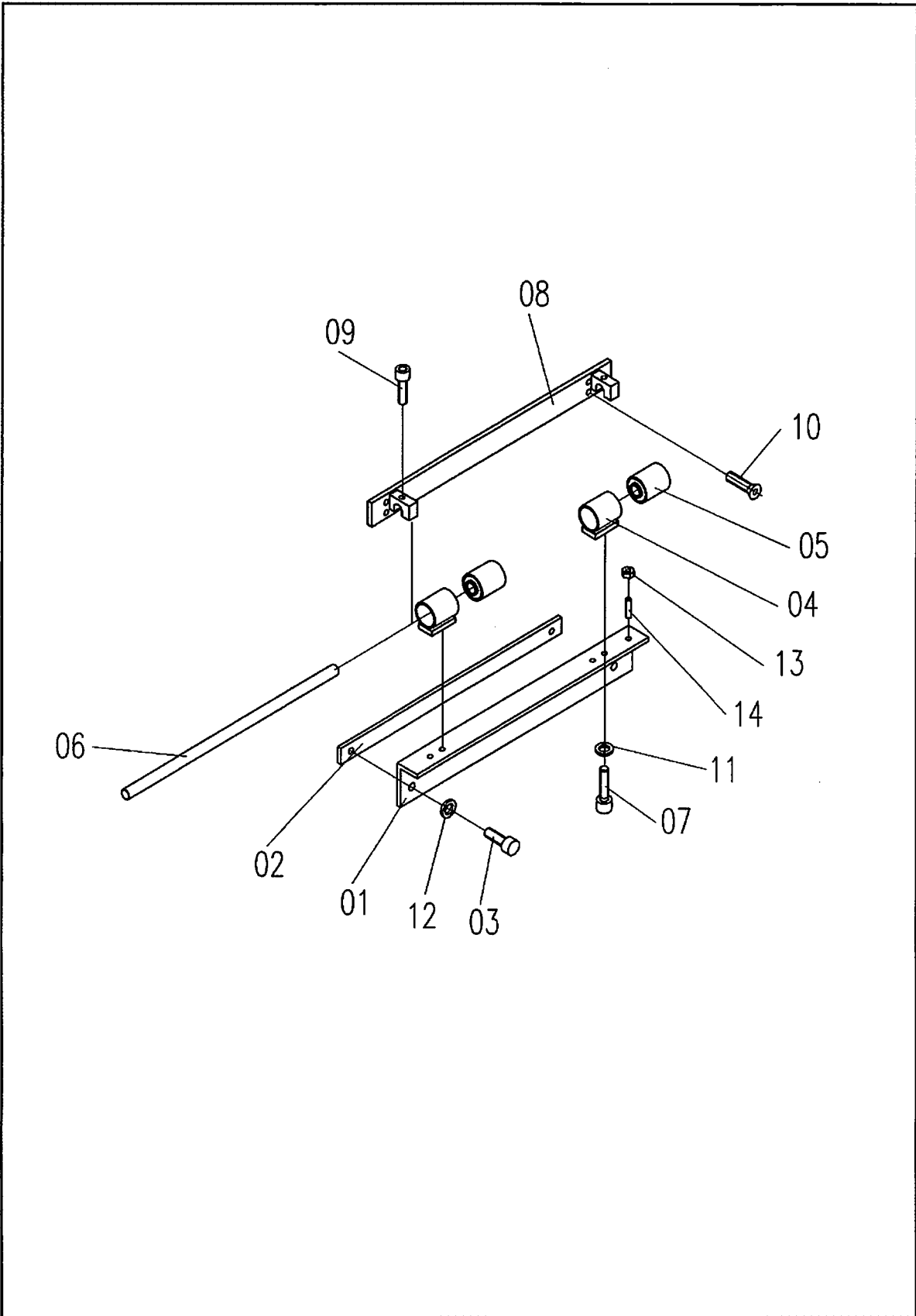


| NR. NO. | STCK. PIECE | ARTIKEL NR. ARTICLE NR. | BEZEICHNUNG | NAME |
|------------|----------------|----------------------------|-----------------|------------------|
| 1 | 1 | 010189-00 | Führungsschiene | static rail |
| 2 | 1 | 0010188-00 | Gleitblech | Slide plate |
| 3 | 7 | DIN 84 3 x 8 | Schraube | screw |
| 4 | 2 | DIN 85 M3x8 | Schraube | screw |
| 5 | 3 | DIN 125 M4 | Scheibe | washer |
| 6 | 6 | 3402026.00 | Verschraubung | threaded joint |
| 7 | 1 | 010294.00 | Halter | rest |
| 8 | 1 | DIN 934-M3 | Mutter | nut |
| 9 | 1 | DIN 84 M3 x 15 | Schraube | screw |
| 10 | 1 | 010178-00 | Blech | plate |
| 11 | 6 | 2701918.00 | Schraube | screw |
| 12 | 1 | 2100724.03 | Initiator | Proximity switch |
| 13 | 1 | 010293.00 | Druckstück | Presser rart |
| 14 | 1 | 3403112.00 | Lasche | lug |
| 15 | 4 | DIN 85-M4x6 | Schraube | screw |
| 16 | 7 | DIN 934-M4 | Mutter | nut |
| 17 | 3 | DIN 916-M4 | Gewindestift | grub screw |
| 18 | 2 | DIN 85-M3x16 | Schraube | screw |
| Tafel 6 | | Führungsschiene | | 739-23-1 |



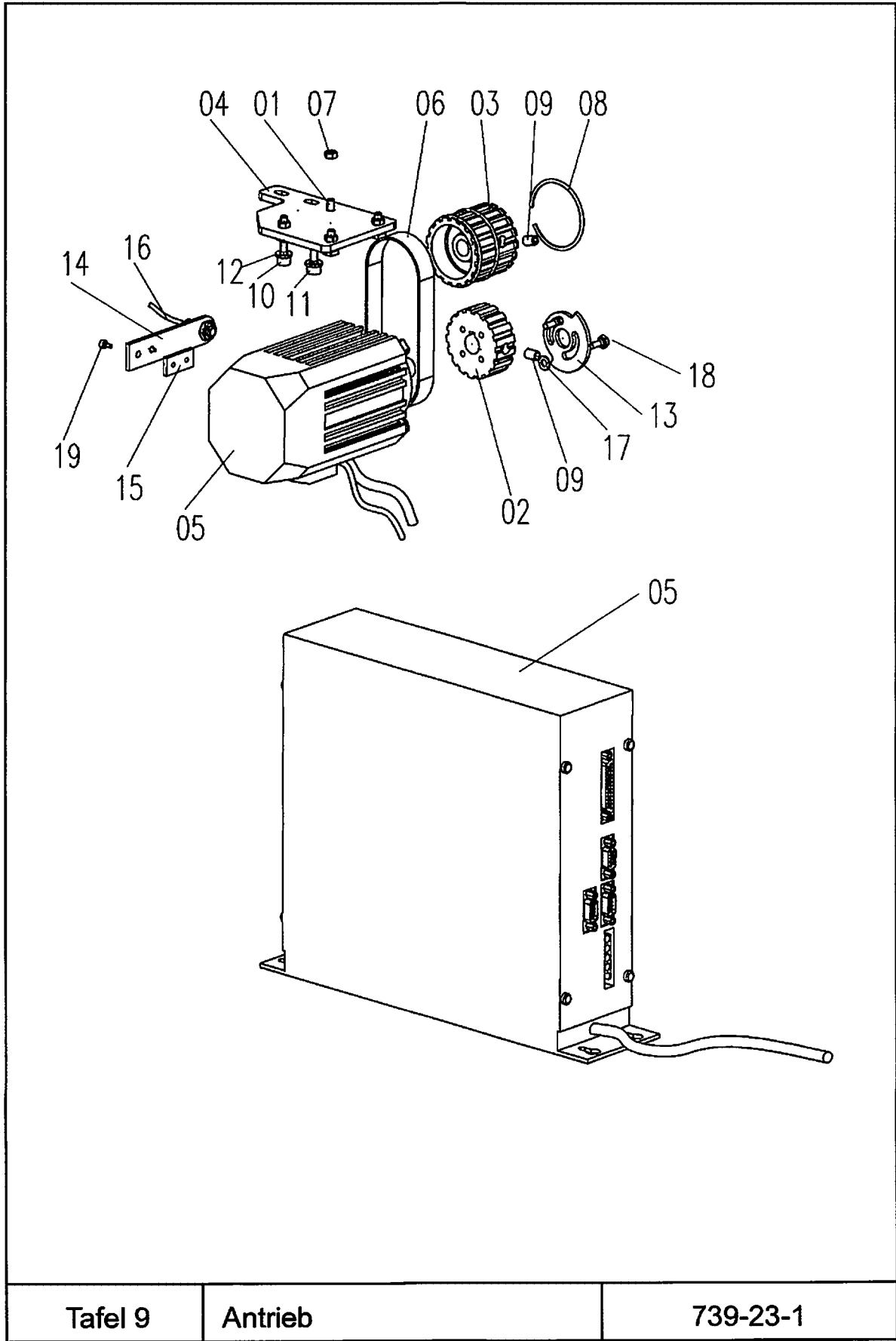
| | | |
|---------|-----------|----------|
| Tafel 7 | Gurtrolle | 739-23-1 |
|---------|-----------|----------|

| NR. NO. | STCK. PIECE | ARTIKEL NR. ARTICLE NR. | BEZEICHNUNG | NAME |
|------------|----------------|----------------------------|-------------|-----------------|
| 1 | 1 | 010153-00 | Gehaeuse | shell |
| 2 | 1 | 010157-00 | Triebrolle | motive roller |
| 3 | 1 | 010168-00 | Triebfeder | motive spring |
| 4 | 1 | 010156-00 | Achse | axial |
| 5 | 2 | DIN 965 M5 x 10 | Schraube | screw |
| 6 | 1 | 010143.00 | Schraube | screw |
| 7 | 1 | 010154-00 | Achse | axial |
| 8 | 1 | 010155-00 | Rolle | roller |
| 9 | 2 | 3402007.00 | Buchse | liner |
| 10 | 2 | DIN 965 M5x10 | Schraube | screw |
| 11 | 1 | 010164.00 | Gurt | neck |
| 12 | 4 | 010158-00 | Lasche | cover plate |
| 13 | 2 | DIN 963 M3x8 | Schraube | screw |
| 14 | 2 | DIN 963 M3x8 | Schraube | screw |
| 15 | 2 | DIN 912 M5x20 | Schraube | screw |
| 16 | 2 | DIN 125 - A 5,3 | Scheibe | washer |
| 17 | 1 | DIN 1481 3x20 | Spannhülse | clamping sleeve |
| Tafel 7 | | Gurtrolle | | 739-23-1 |



| | | |
|---------|------------------|----------|
| Tafel 8 | Oberteilaufnahme | 739-23-1 |
|---------|------------------|----------|

| NR. NO. | STCK. PIECE | ARTIKEL NR. ARTICLE NR. | BEZEICHNUNG | NAME |
|------------|----------------|----------------------------|-----------------|-------------------|
| 1 | 1 | 010318.00 | Winkel | angle |
| 2 | 1 | 010317.00 | Lasche | bracket |
| 3 | 2 | DIN 912 M8x20 | Schraube | screw |
| 4 | 2 | 010282.00 | Lagerbock | bench |
| 5 | 2 | 1600499.00 | Meggi/HL-Buchse | liner |
| 6 | 1 | 010150-00 | Achse | axial |
| 7 | 4 | DIN 6912 M6x12 | Schraube | screw |
| 8 | 1 | 010148-00 | Lasche vollst. | bracket, complete |
| 9 | 2 | DIN 912 M5x18 | Schraube | screw |
| 10 | 4 | DIN 7991 M6x16 | Schraube | screw |
| 11 | 4 | DIN 9021 M6 | Scheibe | washer |
| 12 | 2 | DIN 6340 M8 | Scheibe | washer |
| 13 | 2 | DIN 934-M6 | Mutter | nut |
| 14 | 2 | DIN 916-M6x20 | Gewindestift | grub screw |
| Tafel 8 | | Oberteilaufnahme | | 739-23-1 |

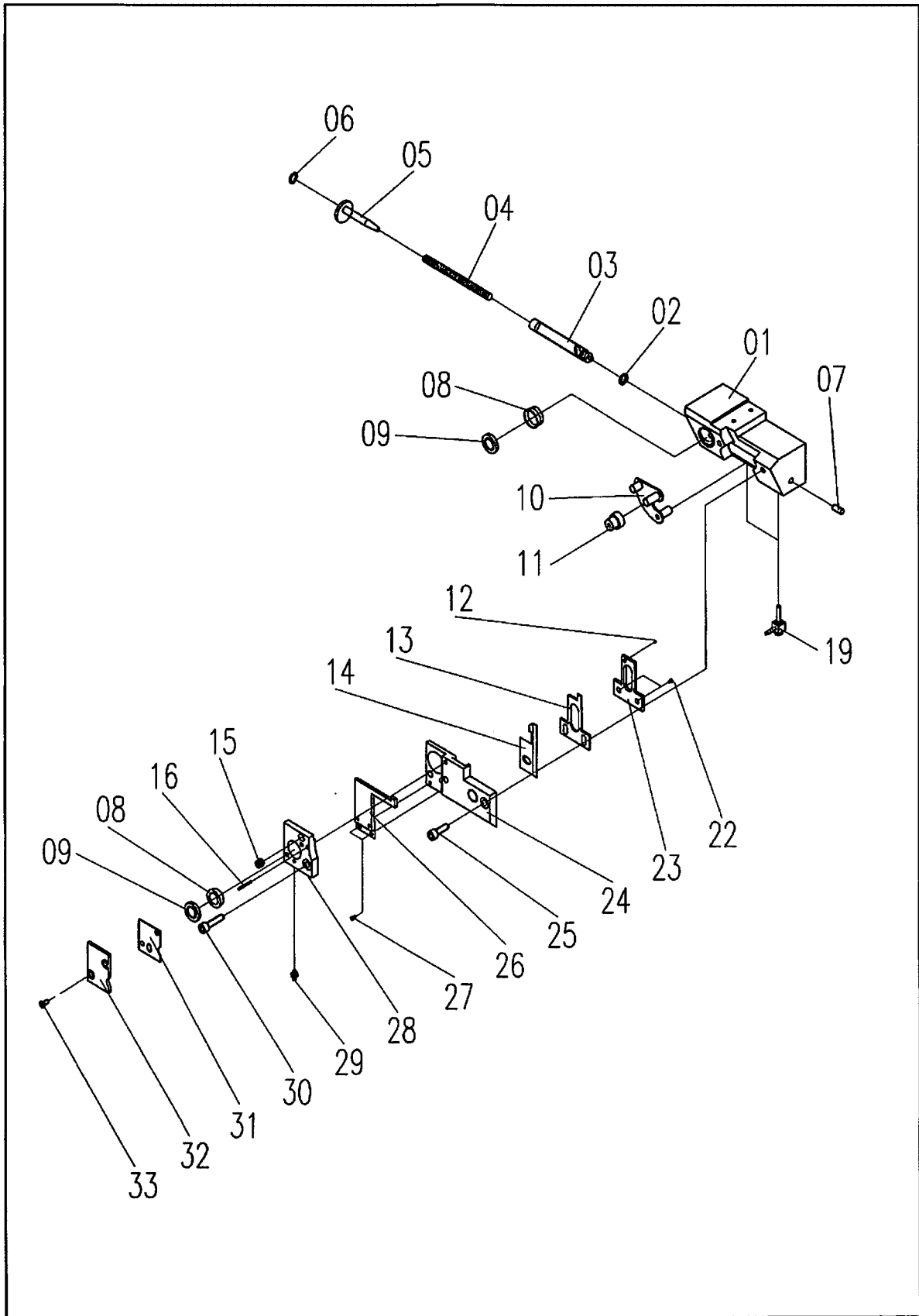


Tafel 9

Antrieb

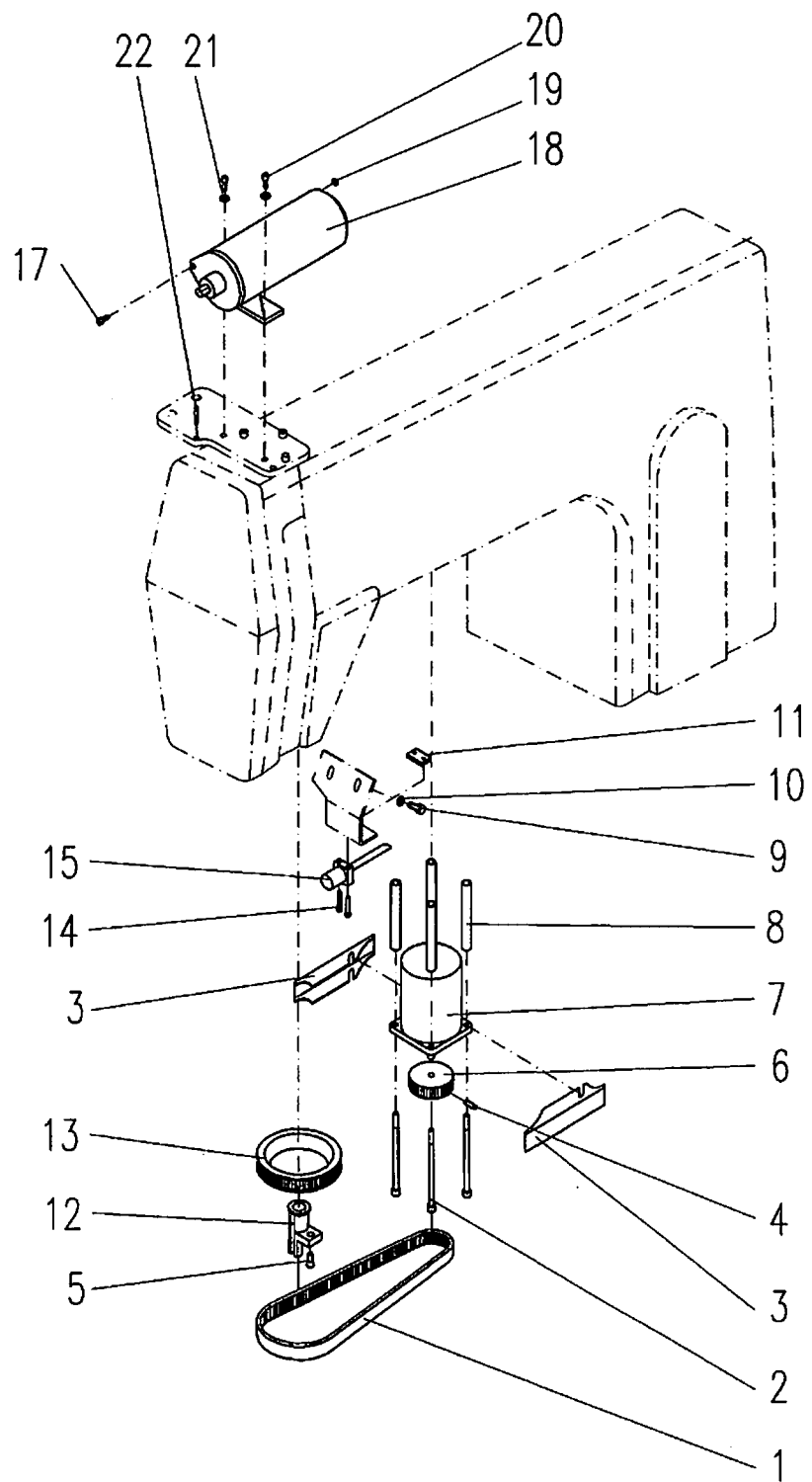
739-23-1

| NR. NO. | STCK. PIECE | ARTIKEL NR. ARTICLE NR. | BEZEICHNUNG | NAME |
|------------|----------------|----------------------------|-------------------|------------------|
| 1 | 4 | 009913-00 | 4KT Schraube | 4kt screw |
| 2 | 1 | 009914-00 | Zahnrad | gear wheel |
| 3 | 1 | 009921-00 | Zahnrad | gear wheel |
| 4 | 1 | 009922-00 | Motorhalterung | engine holder |
| 5 | 1 | 2400826-50 | Komplettantrieb | complete drive |
| 6 | 1 | 2500802-04 | Zahnriemen | toothed belt |
| 7 | 4 | DIN 934 M5 | Sechskantmutter | nut |
| 8 | 3 | 1500401-04 | Sprengring | retaining ring |
| 9 | 3 | DIN 913 M8x10 | Gewindestift | grub screw |
| 10 | 1 | DIN 912 M6x12 | Zylinderschraube | screw |
| 11 | 1 | DIN 912 M6x16 | Zylinderschraube | screw |
| 12 | 2 | DIN 125 A 6,4 | Scheibe | washer |
| 13 | 1 | 009982-00 | Kurvenscheibe | cam disk |
| 14 | 1 | 009983-00 | Lasche | cover plate |
| 15 | 1 | 009984-00 | Lasche | cover plate |
| 16 | 1 | 3402175.00 | Näherungsschalter | proximity switch |
| 17 | 2 | DIN 125 A 5,3 | Scheibe | washer |
| 18 | 2 | DIN 933 M5x12 | Sechskantschraube | screw |
| 19 | 2 | DIN 912 M3x6 | Zylinderschraube | screw |
| Tafel 9 | | Antrieb | | 739-23-1 |



| | | |
|----------|------------------|----------|
| Tafel 10 | Fadenabschneider | 739-23-1 |
|----------|------------------|----------|

| NR. NO. | STCK. PIECE | ARTIKEL NR. ARTICLE NR. | BEZEICHNUNG | NAME |
|------------|----------------|----------------------------|---------------------------------|---------------------|
| 1 | 1 | 010210-00 | Zylinderblock | cylinder bracket |
| 2 | 1 | 3402055.00 | O-Ring 7,9 x 1,9 B-NB70 | o ring |
| 3 | 1 | 010211-00 | Kolben | piston |
| 4 | 1 | 010216-00 | Druckfeder | compression spring |
| 5 | 1 | 010215-00 | Scheibe m. Stift | washer with pin |
| 6 | 1 | 1500401.06 | Sicherungsring | locking ring |
| 7 | 1 | DIN 913 M4x4 | Stiftschraube | stud M4x4 |
| 8 | 2 | 3402056.00 | Lippenring | Lipring |
| 9 | 2 | 010224.00 | Kolben | piston |
| 10 | 1 | 010217-00 | Hebel vollst. | lever |
| 11 | 1 | 010218-02 | Buchse | liner |
| 12 | 1 | 010207.00 | Schraube | screw |
| 13 | 1 | 010219-00 | Messer | cutter |
| 14 | 1 | 010222-00 | Gegenmesser | spider |
| 15 | 1 | 010225-00 | Druckfeder | compression spring |
| 16 | 1 | DIN 6325 1,5x8,0 | Zylinderstift | pin |
| 19 | 2 | 3402058.00 (M3-D2) | Tülle (kpl. Teil) 18, 19,20,21 | socket |
| 22 | 2 | DIN 85 M2,5 x 6 | Schraube | screw |
| 23 | 1 | 010220-00 | Andrückblech | billy - sheet steel |
| 24 | 1 | 010218-01 | Andrückplatte | billy - plate |
| 25 | 1 | DIN 912 M4 x 8 | Schraube | screw |
| 26 | 1 | 010223-00 | Fadenklemme, vollst. | |
| 27 | 2 | DIN 84 M2x2 | Schraube | screw |
| 28 | 1 | 010212-00 | Platte vollst. | plate, complete |
| 29 | 1 | 3402057.00 (M3 - Pk2) | Tülle | socket |
| 30 | 1 | DIN 912 M4 x 12 | Schraube | screw |
| 31 | 1 | 010214-00 | Dichtung | seal |
| 32 | 1 | 010213-00 | Deckel | cover |
| 33 | 2 | DIN 963 M2,5 x 5 | Schraube | screw |
| Tafel 10 | | Fadenabschneider | | 739-23-1 |

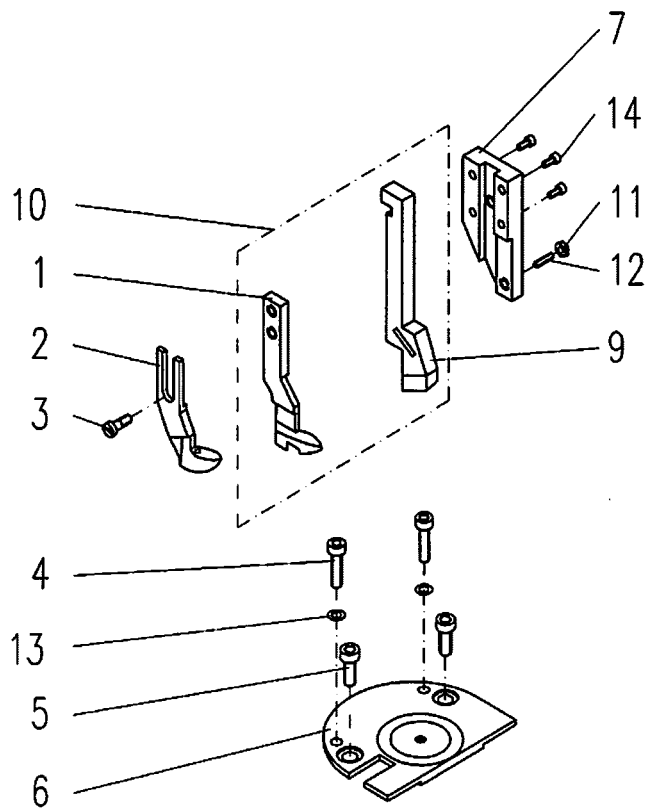


Tafel 11

Messerantrieb

739-23-1

| NR. NO. | STCK. PIECE | ARTIKEL NR. ARTICLE NR. | BEZEICHNUNG | NAME |
|------------|----------------|----------------------------|------------------------|--------------------|
| 1 | 1 | 3402099.00 | Zahnriemen | toothed belt |
| 2 | 4 | DIN 912-M5x80 | Schraube | screw |
| 3 | 2 | 3402110.00 | Abdeckung | cover plate |
| 4 | 1 | DIN 913-M6x8 | Stiftschraube | screw |
| 5 | 1 | DIN 7991-M5x16-10.9 | Schraube | screw |
| 6 | 1 | 0739 330120 | Zahnriemenrad | toothed belt wheel |
| 7 | 1 | 3402100.00 | Schrittmotor | engine |
| 8 | 4 | 3402109.00 | Hülse | sleeve |
| 9 | 2 | DIN 912-M5x10 | Schraube | screw |
| 10 | 2 | DIN 125-A5,3 | Scheibe | washer |
| 11 | 1 | 3402112.00 | Lasche | lug |
| 12 | 1 | 3402111.00 | Messerhalter | knife holder |
| 13 | 1 | 0211 9896A | Zahnriemenrad | toothed belt wheel |
| 14 | 2 | DIN 912 | Schraube | screw |
| 15 | 1 | 3402091.00 | Initiator Ref. Nähkopf | Proximity switch |
| 17 | 1 | DIN 912 M4x12 | Schraube | screw |
| 18 | 1 | 3402101.00 | Kantenschneidermo- | engine |
| 19 | 2 | DIN 7981 2,9x13 F | Schraube | screw |
| 20 | 2 | DIN 912-M4x12 | Schraube | screw |
| 21 | 2 | DIN 125-A4.3 | Scheibe | washer |
| Tafel 11 | | Messerantrieb | | 739-23-1 |

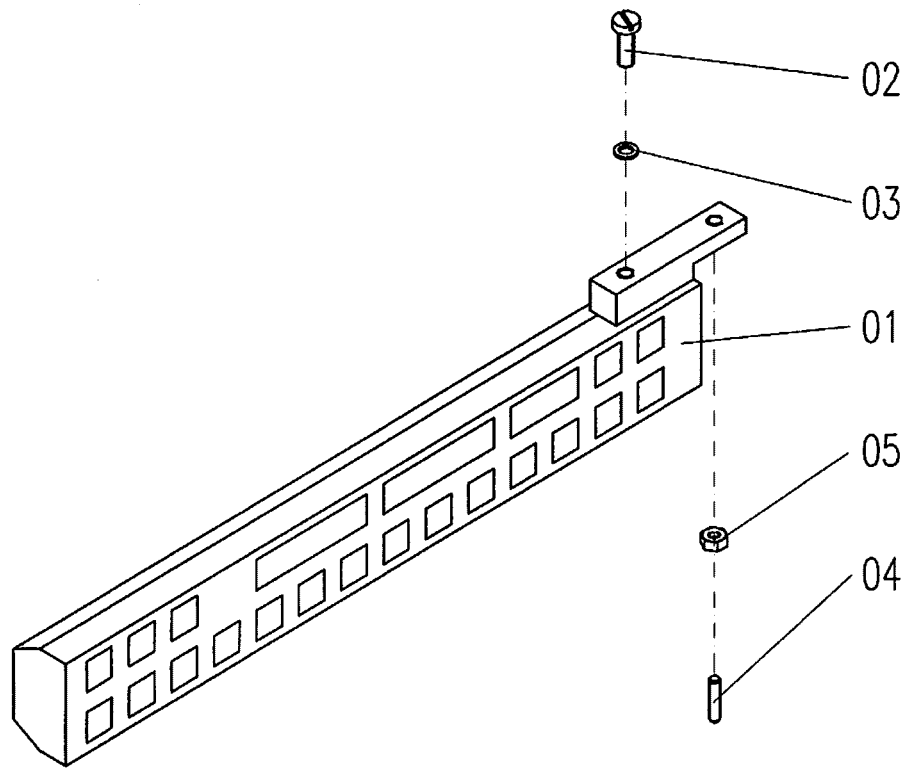


Tafel 12

Kantenbeschneideinrichtung

739-23-1

| NR. NO. | STCK. PIECE | ARTIKEL NR. ARTICLE NR. | BEZEICHNUNG | NAME |
|------------|----------------|----------------------------|----------------------------|--------------------|
| 1 | 1 | 010254.00 | Messer (4mm) | <u>knife (4mm)</u> |
| | 1 | 010256.00 | Messer (5mm) | knife (5mm) |
| 2 | | 010269.00 | Fuss | foot |
| 3 | 2 | 3402095.00 | Schraube | screw |
| 4 | 2 | 3402094.00 | Schraube | screw |
| 5 | 2 | 3402096.00 | Schraube | screw |
| 6 | 1 | 3402097.00 | Stichplatte | cover stitch |
| 7 | 1 | 3402113.00 | Deckplatte | cover plate |
| 8 | | | | |
| 9 | 1 | 010255.00 | Messer (4mm) | knife (4mm) |
| | 1 | 010257.00 | Messer (5mm) | knife (5mm) |
| 10 | 1 | 90.739023.03.01 | Messersatz kompl. (4mm) | knife set (4mm) |
| | | 90.739023.03.02 | Messersatz kompl. (5mm) | knife set (5mm) |
| 11 | 1 | DIN 439-M6 | Mutter | nut |
| 12 | 1 | 010287.00 | Gewindestift | thread tack |
| 13 | 2 | 3402093.00 | Unterlegscheibe | disc |
| 14 | 4 | 3402085.00 | Schraube | screw |
| Tafel 12 | | Kantenbeschneideinrichtung | | 739-23-1 |

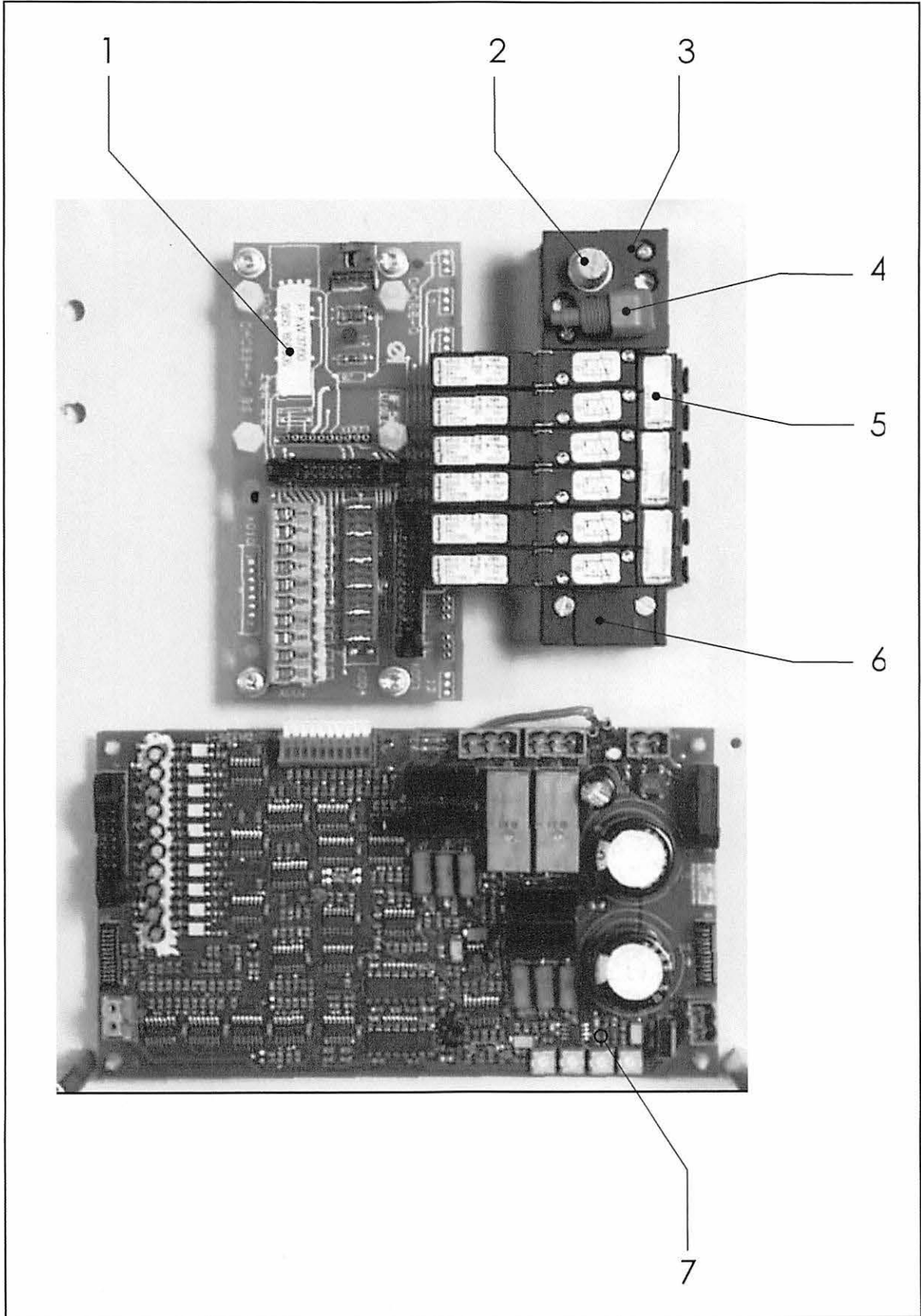


Tafel 13

Bedienpanel

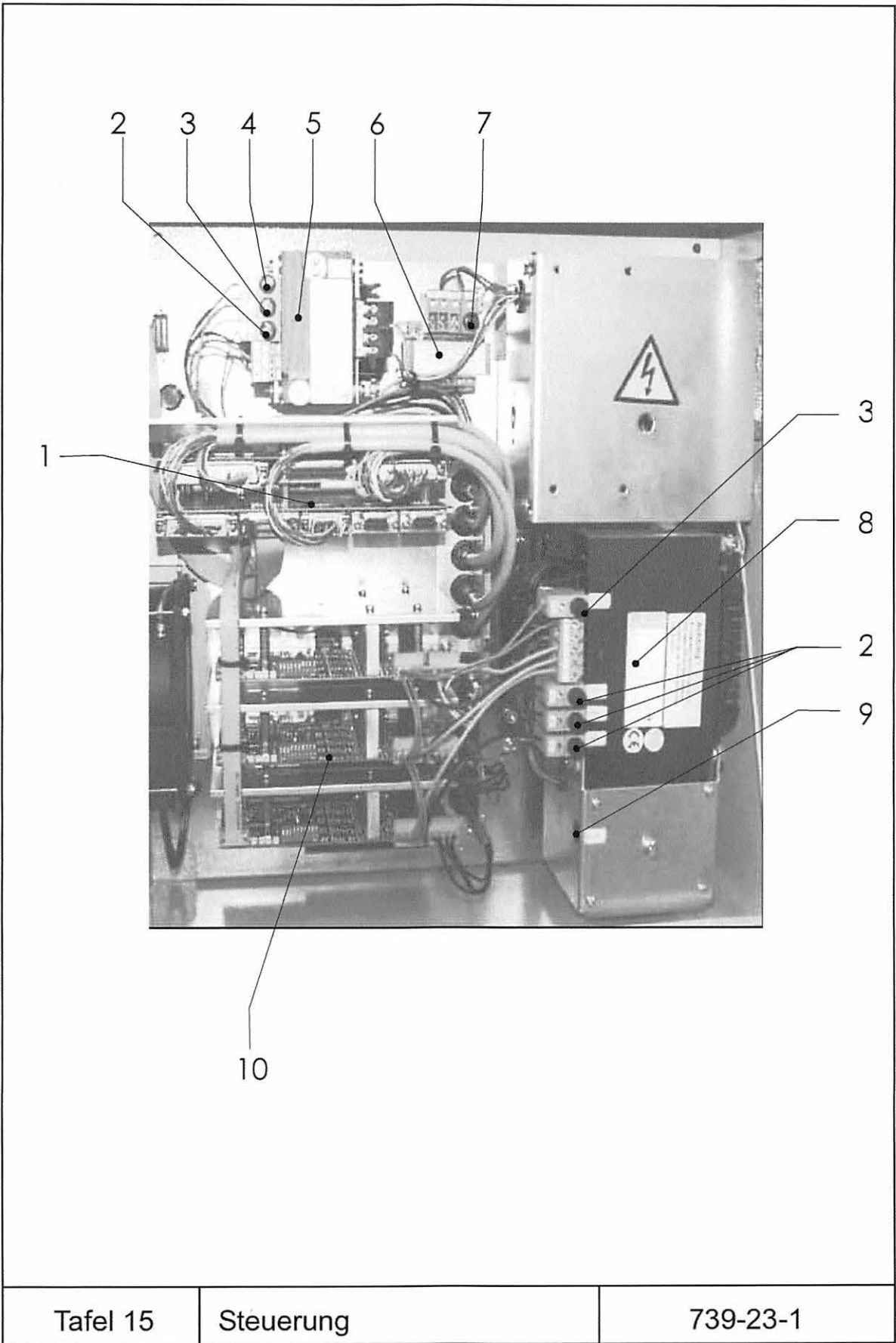
739-23-1

| NR. NO. | STCK. PIECE | ARTIKEL NR. ARTICLE NR. | BEZEICHNUNG | NAME |
|------------|----------------|----------------------------|-----------------|-----------------|
| 1 | 1 | 3402098.00 | Tastenleiste | panel |
| 2 | 1 | 010141.00 | Ansatzschraube | Shouldered |
| 3 | 1 | 010418.00 | Scheibe | washer |
| 4 | 1 | 3402009.00 | Fed. Druckstück | Pressure spring |
| 5 | 1 | DIN 439-M8 | Mutter | nut |
| Tafel 13 | | Bedienpanel | | 739-23-1 |

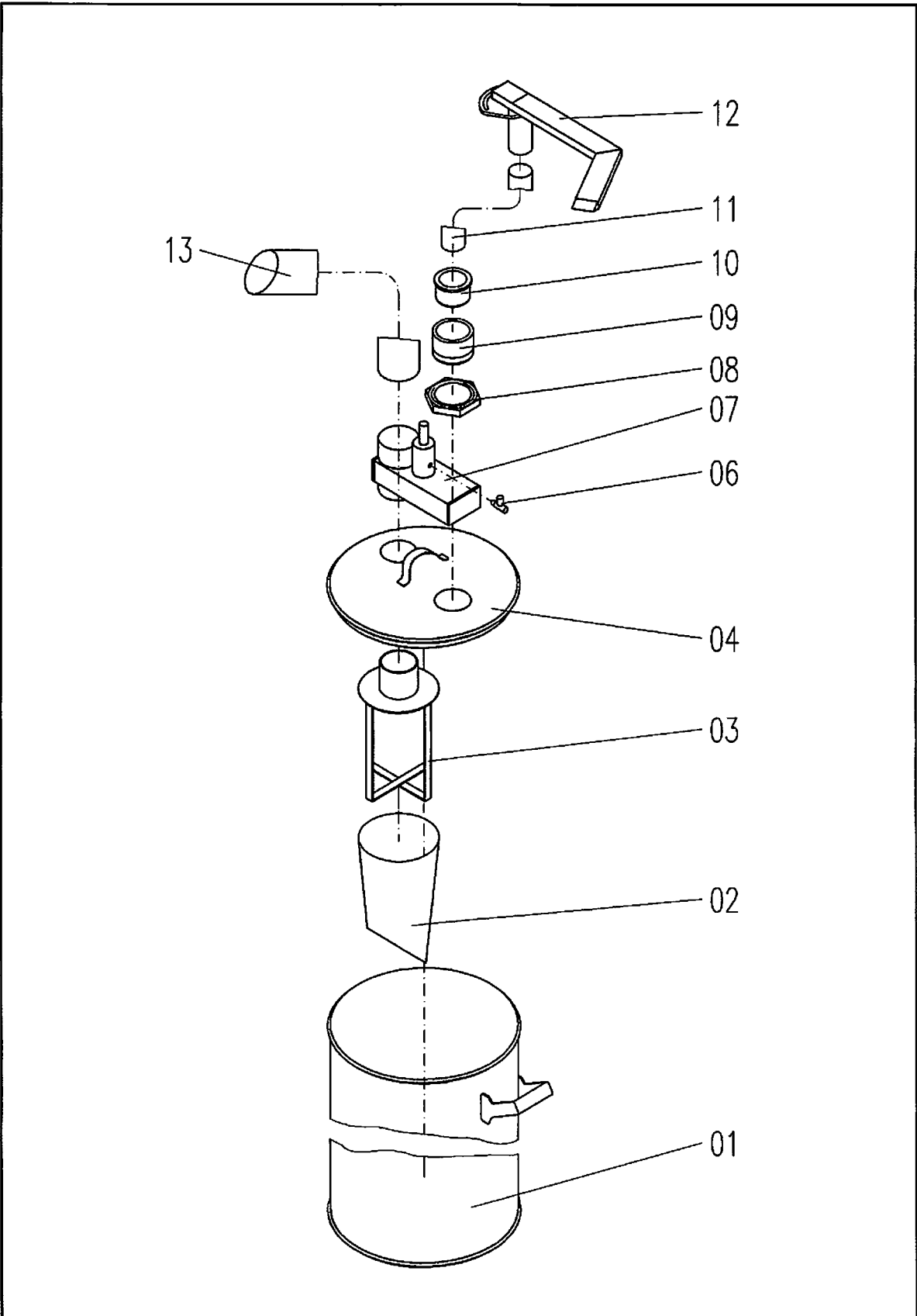


| | | |
|----------|---------------------|----------|
| Tafel 14 | Pneumatikverteilung | 739-23-1 |
|----------|---------------------|----------|

| NR. NO. | STCK. PIECE | ARTIKEL NR. ARTICLE NR. | BEZEICHNUNG | NAME |
|------------|----------------|----------------------------|----------------|------------------|
| 1 | 1 | 47.0739/01.05 | Leiterplatte | Conductor plate |
| 2 | 1 | 1300339.00 | Schalldämpfer | damping part |
| 3 | 1 | 3402045.00 | Anschlussblock | connection block |
| 4 | 1 | 3402048.00 | Verschraubung | plug screw |
| 5 | 3 | 3402044.00 | Ventil | valve |
| 6 | 1 | 3402046.00 | Abschlussblock | connection box |
| 7 | 1 | 47.0739/01.03 | Leiterplatte | Conductor plate |
| Tafel 14 | | Pneumatikverteilung | | 739-23-1 |

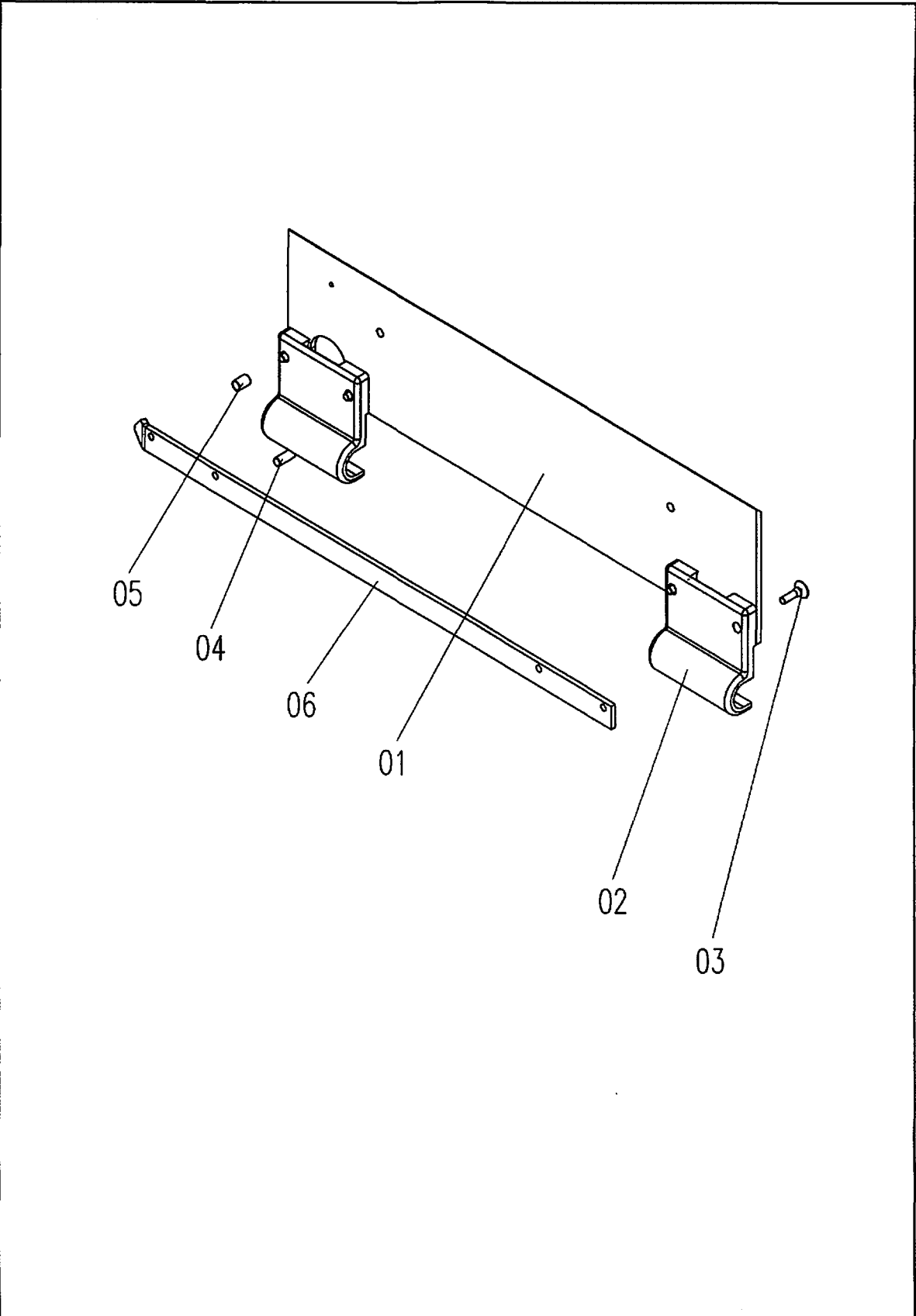


| NR. NO. | STCK. PIECE | ARTIKEL NR. ARTICLE NR. | BEZEICHNUNG | NAME |
|------------|----------------|----------------------------|--------------------|-----------------|
| 1 | 1 | 3402102.00 | Leiterplatte | Conductor plate |
| 2 | 4 | 3402081.03 | Feinsicherung 4A | fuse 4A |
| 3 | 2 | 3402081.00 | Feinsicherung 1,6A | fuse 1,6A |
| 4 | 1 | 3402081.02 | Feinsicherung 2,5A | fuse 2,5A |
| 5 | 1 | 3402103.00 | Transformator | transformer |
| 6 | 1 | 3402104.00 | Transformator | transformer |
| 7 | 1 | 3402081.04 | Feinsicherung 0,1A | fuse 0,1A |
| 8 | 1 | 3402106.00 | Transformator | Transformer |
| 9 | 1 | 3402081.01 | Feinsicherung 6,3A | fuse 6,3A |
| 10 | 3 | 3402105.00 | SM-Verstärker | SM - Amplifier |
| Tafel 15 | | Steuerung | | 739-23-1 |



| | | |
|----------|---------------------|----------|
| Tafel 16 | Absaugereinrichtung | 739-23-1 |
|----------|---------------------|----------|

| NR. NO. | STCK. PIECE | ARTIKEL NR. ARTICLE NR. | BEZEICHNUNG | NAME |
|------------|----------------|----------------------------|---------------------------------|--------------|
| 1 | 1 | 100170.00 | Behälter | Bowl |
| 2 | 1 | 010173.00 | Filter mit Filtereinsatz | Filter |
| 3 | 1 | 010172.00 | Scheibe m. Bügel | Disc |
| 4 | 1 | 010171.00 | Deckel | Cover |
| 6 | 1 | 007418.00 | Zuluftdrossel | Throttle |
| 7 | 1 | 3402029.00 | Vacuum-Ventil | air valve |
| 8 | 1 | 3402083.00 | Gegenmutter PG 48 MS | nut |
| 9 | 1 | 3402027.01 | Verschraubung | plug screw |
| 10 | 1 | 010174.00 | Adapter | link |
| 11 | 1 | 3402028.00 | Spiralschlauch Trans- parent | tube drill |
| 12 | 1 | 010163-00 | Absaugrohr kompl. | extract pipe |
| 13 | 1 | 3402030.00 | Spiralschlauch grau | tube drill |
| Tafel 16 | | Absaugeinrichtung | | 739-23-1 |

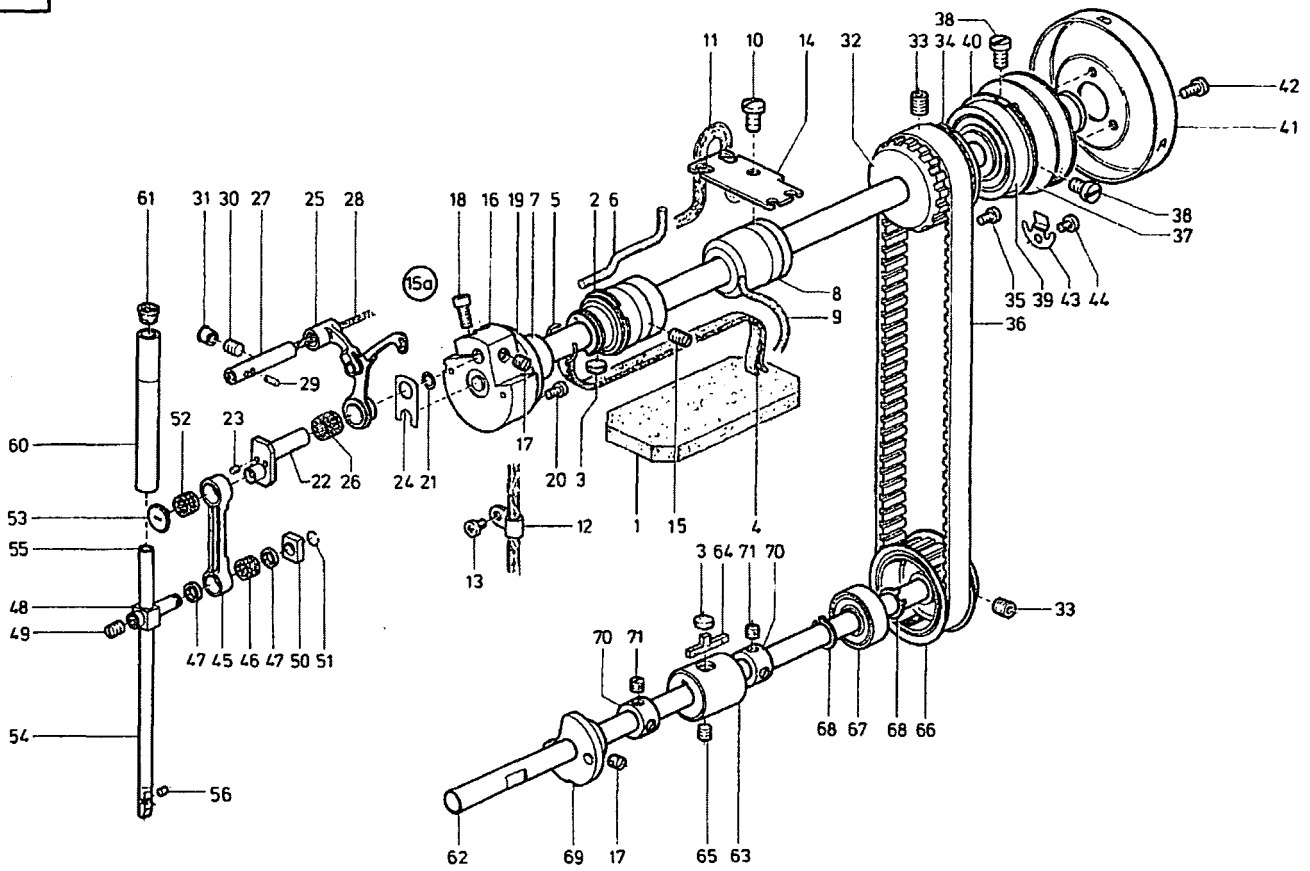


| | | |
|----------|-------------------|----------|
| Tafel 17 | 0-Punkt-Schablone | 739-23-1 |
|----------|-------------------|----------|

| NR. NO. | STCK. PIECE | ARTIKEL NR. ARTICLE NR. | BEZEICHNUNG | NAME |
|------------|----------------|----------------------------|--------------|------------|
| 1 | 1 | 010358-00 | Platte | plate |
| 2 | 2 | 010370-00 | Halter | locking |
| 3 | 4 | DIN 7991-M4x12 | Senkschraube | screw |
| 4 | 1 | 3402073-00 | Nadelrolle | neddleroll |
| 5 | 1 | 010359-00 | Buchse | sleeve |
| 6 | 1 | 010366-00 | Lasche | lug |
| Tafel 17 | | 0-Punkt-Schablone | | 739-23-1 |

739-23-1

TEILELISTE OBERTEIL
SPARE PART LIST SEWING HEAD



| NR. No. | STÜCK PIECE | ARTIKEL NR. ARTICLE NO. | BEZEICHNUNG | NAME |
|--|----------------|----------------------------|--|------|
| 0935 000271 EINBAU-NÄHMASCHINE 0935 000271 HEAD | | | | |
| 1 | | 0211 000289 | Filterteil | |
| 2 | | 0211 000302 | Armlager kpl (mit Pos. 3-7) | |
| 3 | | 0211 000305 A | Filterteil | |
| 4 | | 0002 005889 0700 | Öldocht | |
| 5 | | 0211 000308 B | Federling | |
| 6 | | 0271 000026 | Öldocht | |
| 7 | | 0211 000308 A | Ring | |
| 8 | | 0211 000318 | Armlager | |
| 9 | | 9041 100050 | Öllochtl' | |
| 10 | | 9204 201648 | Linsenschraube | |
| 11 | | 0271 000047 | Ölleitung kpl. | |
| 12 | | 9840 120026 | Plastikscheffe | |
| 13 | | 9204 201648 | Zyl.Schraube | |
| 14 | | 0271 000054 | Lasche | |
| 15 | | 0216 000042 | Gewindestift | |
| 15a | | 0271 001062 M | Armweile kpl. (Pos.18-21,24) | |
| 16 | | 0271 001063 | Armweile kpl. (Pos.17 und 18) | |
| 17 | | 0223 000648 | Gewindestift | |
| 18 | | 9202 002488 | Zyl.Schraube | |
| 19 | | 0211 000332 | Ring | |
| 20 | | 9203 003853 | Zyl.Schraube | |
| 21 | | 0211 000331 | Gummiring | |
| 22 | | 0271 000096 | Kurbelzapfen kpl. (mit. Pos. 23) | |
| 23 | | 9041 102025 | Filterteil | |
| 24 | | 0211 000407 | Anlageplatte | |
| 25 | | 0271 120024 M | Fadenhebel | |
| 26 | | 0211 000397 | Nadelkranz | |
| 27 | | 0271 000112 | Fadenhebelachse kpl. (mit Pos. 28 und 29) | |
| 28 | | 9041 100030 | Öldocht | |
| 29 | | 0002 008308 3325 | Filterteil | |
| 30 | | 9205 102478 | Gewindestift | |
| 31 | | Z100 011022 | Verschlußkappe | |
| 32 | | 0271 000065 | Zahnriemenrad kpl. (mit Pos. 33,34,35) | |
| 33 | | 9205 102788 | Gewindestift | |
| 34 | | 0271 000072 | Einstellring | |

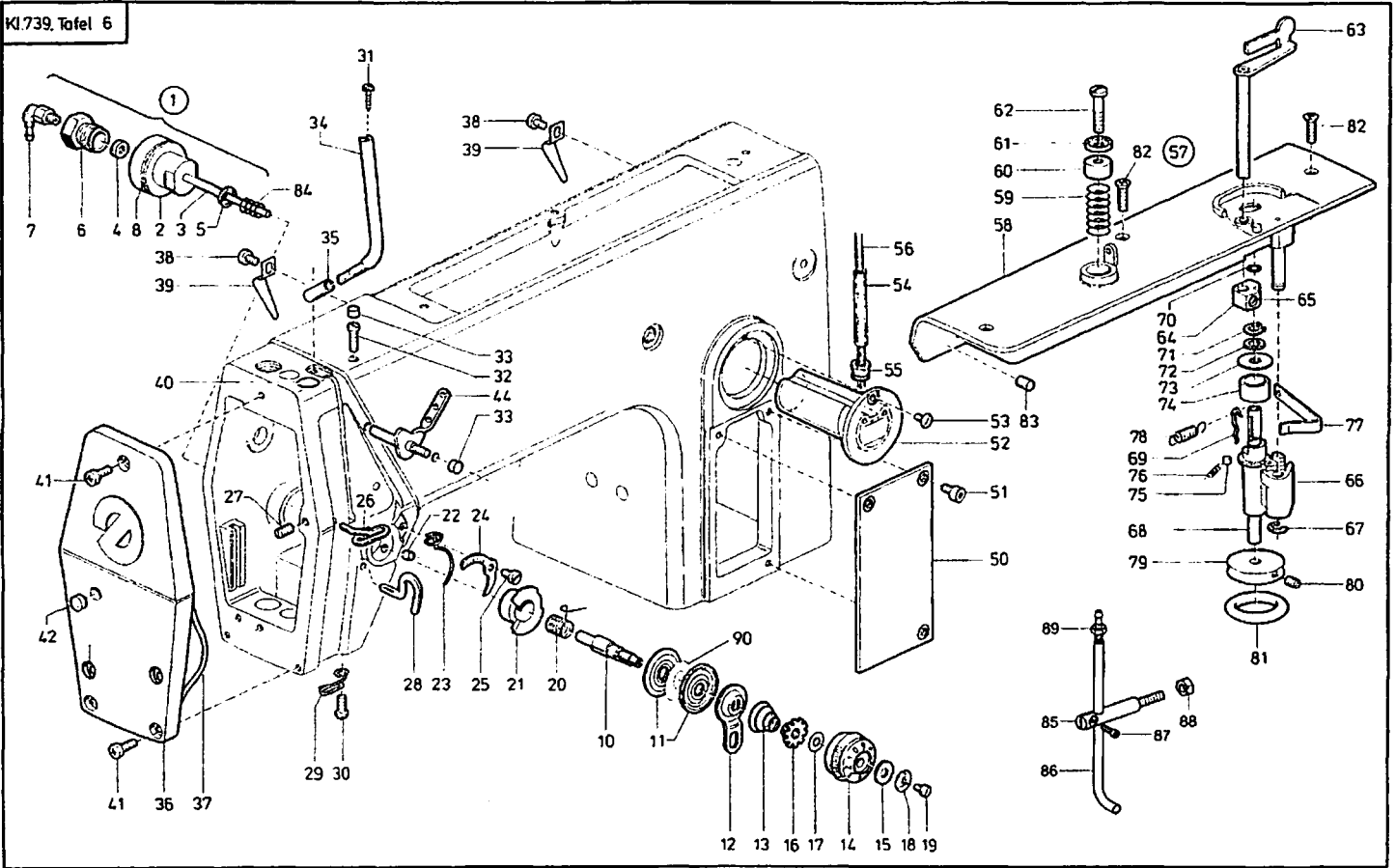
Tafel 5

Oberteil

| NR. No. | STÜCK PIECE | ARTIKEL NR. ARTICLE NO. | BEZEICHNUNG | NAME |
|------------|----------------|----------------------------|------------------------------------|------|
| 35 | | 9204 201658 | Zyl.Schraube | |
| 36 | | 0211 000355 | Zahnriemen | |
| 37 | | 0271 000077 | Flansch kpl. (mit Pos. 38) | |
| 38 | | 0216 000068 A | Zyl.Schraube | |
| 39 | | 0211 000361 | Kugellager | |
| 40 | | 9129 016060 | Sicherungsring | |
| 41 | | 0271 000090 | Handrad | |
| 42 | | 9204 201968 | Linsenschraube | |
| 43 | | 0933 000075 | Haltefeder | |
| 44 | | 9204 201648 | Zyl. Schraube | |
| 45 | | 0211 000390 K | Zugstange kpl. (mit Pos.46 und 47) | |
| 46 | | 0211 000208 | Nadelkranz | |
| 47 | | 0211 000391 A | Scheibe | |
| 48 | | 0212 000151 | Krouztkopf kpl. (mit Pos. 49) | |
| 49 | | 0223 000648 | Gewindestift | |
| 50 | | 0211 000394 | Gleitstein | |
| 51 | | 0211 000395 | Sprengring | |
| 52 | | 0211 000397 | Nadelkranz | |
| 53 | | 0211 000398 | Abdeckschraube | |
| 54 | | 0211 000339 | Nadelstange kpl. (mit Pos. 56) | |
| 55 | | 0570 010007 | Gummistopfen | |
| 56 | | 0211 001033 | Gewindestift | |
| 60 | | 0211 000376 | Nadelst.-Buchse | |
| 61 | | 0211 000806 | Verschlußkappe | |
| 62 | | 0271 000502 | Unterwelle | |
| 63 | | 0271 000506 | Lagerbuchse | |
| 64 | | 0211 000108 | Filterteil | |
| 65 | | 0216 000052 | Gewindestift | |
| 66 | | 0271 150104 | Zahnriemenrad kpl. (mit Pos. 33) | |
| 67 | | 9120 030121 | Kugellager | |
| 68 | | 9352 000120 | Sicherungsring | |
| 69 | | 0935 150010 | Kurve kpl. (mit Pos. 17) | |
| 70 | | 0748 000294 | Stoßring kpl. (mit Pos. 71) | |
| 71 | | 0147 000203 | Gewindestift | |

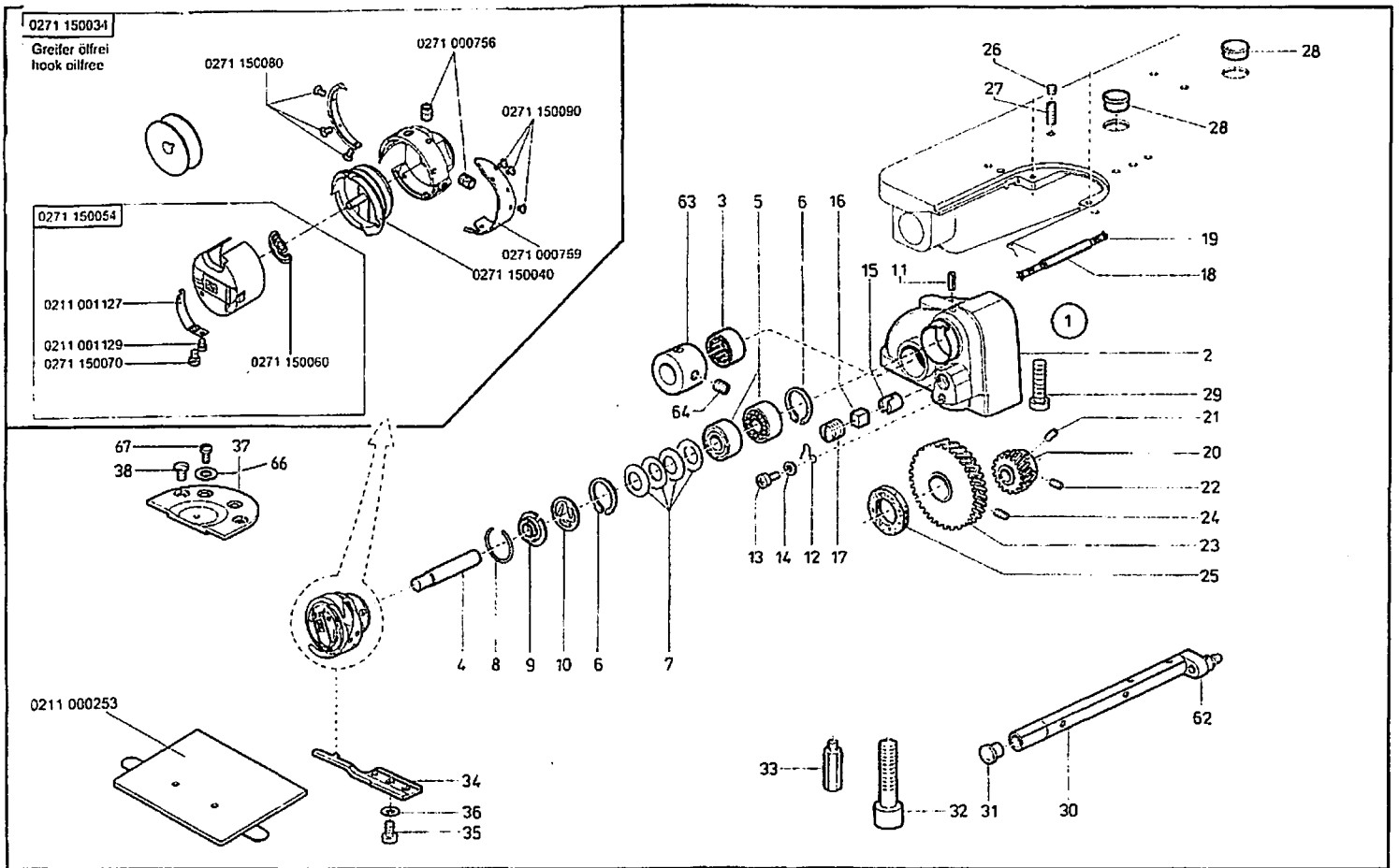
739-23

KI.739, Tafel 6



| NR. No. | STÜCK PIECE | ARTIKEL NR. ARTICLE NO. | BEZEICHNUNG | NAME | NR. No. | STÜCK PIECE | ARTIKEL NR. ARTICLE NO. | BEZEICHNUNG | NAME |
|------------|----------------|----------------------------|---------------------------------------|----------|------------|----------------|----------------------------|-----------------------------------|------|
| 1 | | 9700 100059 | Zylinder kpl. (best. aus Pos.2 bis 8) | | 40 | | 0271 000029 | Verschlußkappe | |
| 2 | | 0935 103422 | Buchse | | 41 | | 9204 201858 | Zyl.Schraube | |
| 3 | | 0935 103427 | Kolbenstange | | 42 | | 9050 050001 | Verschlußkappe | |
| 4 | | 0248 000348 | Lippenring | | 44 | | 0211 001227 | Fadenleitwinkel, V | |
| 5 | | 0271 001385 | Scheibe | | 50 | | 0171 001015 | Abdeckplatte | |
| 6 | | 0248 000326 | Zyl.-Rohr | | 51 | | 9204 201858 | Zyl.Schraube | |
| 7 | | 0797 002242 | Schl.-Verschr. | | 52 | | 0271 000301 | Öbehälter kpl.(mit Pos.54,55,56) | |
| 8 | | 0744 001801 B | Gummiring | | 53 | | 9217 300518 | Linsenschraube | |
| 10 | | 0271 000237 | Spannungsbolzen | | 54 | | 0002 008930 0100 | Ölschlauch | |
| 11 | | 0211 050214 | Spannungsscheibe | | 55 | | 0211 000806 | Stopfen | |
| 12 | | 0271 000199 | Stopscheibe | | 58 | | 9041 100035 | Öldocht | |
| 13 | | 0271 110030 | Spannungsfeder | | 57 | | 0271 000242 M | Spüler kpl.(best.aus Pos.58-81) | |
| 14 | | 0271 000238 | Skalaknopf | | 58 | | 0935 103284 | Spülerdeckel kpl.(mit Pos.59-62) | |
| 15 | | 0271 000205 | Scheibe | | 59 | | 0244 000413 | Druckfeder | |
| 16 | | 0271 000206 | Schleppmutter | | 60 | | 0244 000414 | Spannungshülse | |
| 17 | | 0271 000207 | Scheibe | | 61 | | 0244 000415 | Spannungshülse | |
| 18 | | 0271 000208 | Federscheibe | | 62 | | 9204 201723 | Linsenschraube | |
| 19 | | 9203 100021 | Linsenschraube | | 63 | | 0244 000381 | Spülerklappe | |
| 20 | | 0271 000197 | Anzugsfeder | | 64 | | 0218 000603 K | Schaltkolben kpl.(mit Pos.65) | |
| 21 | | 0211 050215 | Anschlaghülse | | 65 | | 0223 000648 | Gewindestift | |
| 22 | | 9205 102168 | Gewindestift | | 66 | | 0244 000388 | Spülerbock | |
| 23 | | 0271 000212 | Fadenregulator | | 67 | | 0211 000100 A | Sicher.-Scheibe | |
| 24 | | 0271 000215 | Skalablech | | 68 | | 0271 000273 | Spülerspindel kpl.(mit Pos.69-71) | |
| 25 | | 9203 113872 | Zyl.Schraube | | 69 | | 1001 003122 | Spülfeder | |
| 26 | | 0271 000217 | Fadenführung | | 70 | | 1001 003112 | Federring | |
| 27 | | 9205 102168 | Gewindestift | | 71 | | 0211 000518 | Greifring | |
| 28 | | 0211 000459 | Fadenleithaken | | 72 | | 0244 000396 | Scheibe | |
| 29 | | 0271 000222 | Fadenführung | | 73 | | 0244 000401 | Scheibe | |
| 30 | | 0219 000353 | Linsenschraube | | 74 | | 0244 000398 | Ring | |
| 31 | | 0798 122902 | Kunststoffschraube | | 75 | | 0244 000399 | Zylinderrolle | |
| 32 | | 9203 113701 | Linsenschraube | | 76 | | 0244 000400 | Druckfeder | |
| 34 | | 0577 100170 | Fadenhebolschutz | | 77 | | 0244 000403 | Blattfeder | |
| 35 | | 0271 000124 | Hülse | | 78 | | 0244 000404 | Zugfeder | |
| 36 | | 0271 000873 | Kopfdeckel kpl. (mit Pos.37) | | 79 | | 0211 000520 | Spülerad kpl.(mit Pos.80 und 81) | |
| 37 | | 0271 000227 | Gummiring | | 80 | | 0223 000507 | Gewindestift | |
| 38 | | 9204 201658 | Zyl. Schraube | | 81 | | 0218 000591 | Gummiring | |
| 39 | | 0271 000011 | Klammer | | 82 | | 0271 000298 | Senkschraube | |
| | | | | | 83 | | 0218 000288 | Gummipuffer | |
| | | | | | 84 | | 0935 103438 | Druckfeder | |
| | | | | | 85 | | 0722 003282 | Klammstück* | |
| Tafel 6 | | | | Oberteil | 739-23 | | | | |

| NR. No. | STÜCK PIECE | ARTIKEL NR. ARTICLE NO. | BEZEICHNUNG | NAME | NR. No. | STÜCK PIECE | ARTIKEL NR. ARTICLE NO. | BEZEICHNUNG | NAME |
|------------|----------------|----------------------------|---|------|------------|----------------|----------------------------|-------------|------|
| 86 | | 0722 003287 | Biasrohr* | | | | | | |
| 87 | | 9203 100021 | Zylinderschraube* | | | | | | |
| 88 | | 9231 110108 | Mutter* | | | | | | |
| 89 | | 0797 002016 | Schlauchdüse* | | | | | | |
| 90 | | 0271 000201 | Ring | | | | | | |
| | | | *Bestandteil der Absaugeinrichtung 0722 003124 | | | | | | |
| | | | *Part of 0722 003124 | | | | | | |
| Tafel 6 | | | Oberteil | | | | 739-23 | | |



| NR. No. | STÜCK PIECE | ARTIKEL NR. ARTICLE NO. | BEZEICHNUNG | NAME |
|------------|----------------|----------------------------|---|------|
| 1 | | 0935 106711 M | Getriebegehäuse kpl. (best. aus Pos. 2 bis 25) | |
| 2 | | 0935 106713 | Getriebegehäuse | |
| 3 | | 0271 000482 | Nadellager | |
| 4 | | 0271 000483 | Greifenwelle | |
| 5 | | 9120 030081 | Kugellager | |
| 6 | | 0211 000025 | Sicher.-Ring | |
| 7 | | 0211 000027 | Tellerfeder | |
| 8 | | 0211 000844 | Sprengring | |
| 9 | | 0211 00846 A | Ölscheibe | |
| 10 | | 0211 000848 | Federscheibe | |
| 11 | | 0420 000248 | Spannhülse | |
| 12 | | 0271 000474 | Arretierfeder | |
| 13 | | 9204 201848 | Linsenschraube | |
| 14 | | 9300 200088 | Scheibe | |
| 15 | | 0285 000753 | Druckhülse | |
| 16 | | 0211 008285 | Druckbolzen | |
| 17 | | 0211 000834 | Gewindestift | |
| 18 | | 9731 007035 | Ölschlauch | |
| 19 | | 9041 100035 | Runddocht | |
| 20 | | 0211 000018 | Zahnrad kpl. (mit Pos. 21 und 22) | |
| 21 | | 0223 000238 | Gewindestift | |
| 22 | | 0223 000237 | Gewindestift | |
| 23 | | 0218 000070 | Zahnrad kpl. (mit Pos. 24) | |
| 24 | | 0244 000700 | Gewindestift | |
| 25 | | 0211 000022 | Filzscheibe | |
| 26 | | 0531 000480 | Gewindestift | |
| 27 | | 0284 000782 | Gewindestift | |
| 28 | | 0211 000257 | Verschlußkappe | |
| 29 | | 9204 202328 | Linsenschraube | |
| 30 | | 0211 000003 | Ölrohr | |
| 31 | | 0211 000007 | Verschlußkappe | |
| 32 | | 9202 003738 | Zyl.-Schraube (Arm/Fundamentplatte) | |
| 33 | | 0211 050248 | 6kt.-Schraube(n Fundamentplatte) | |
| 34 | | 0271 000491 | Spulengehäuse-Halter | |
| 35 | | 9204 201958 | Zyl.-Schraube | |

Tafel 8

Oberteil

739-23

| NR. No. | STÜCK PIECE | ARTIKEL NR. ARTICLE NO. | BEZEICHNUNG | NAME |
|------------|----------------|----------------------------|---|------|
| 36 | | 9330 000098 | Scheibe | |
| 37 | | 0739 200020 | Stichplatte | |
| 38 | | 1001 009130 | Linsenschraube | |
| 39 | | 0211 000253 | Stichpl.-Schieber kpl. (mit Pos. 40,41,42) | |
| 62 | | 0244 000501 | Anschlußstück | |
| 63 | | 0935 103557 | Stellung kpl. (mit Pos. 64) | |
| 64 | | 0223 000237 | Gewindestift | |
| 65 | | 0204 000230 A | Spule | |
| 66 | | 0272 070886 | Scheibe | |
| 67 | | 0633 022587 | Linsenschraube | |